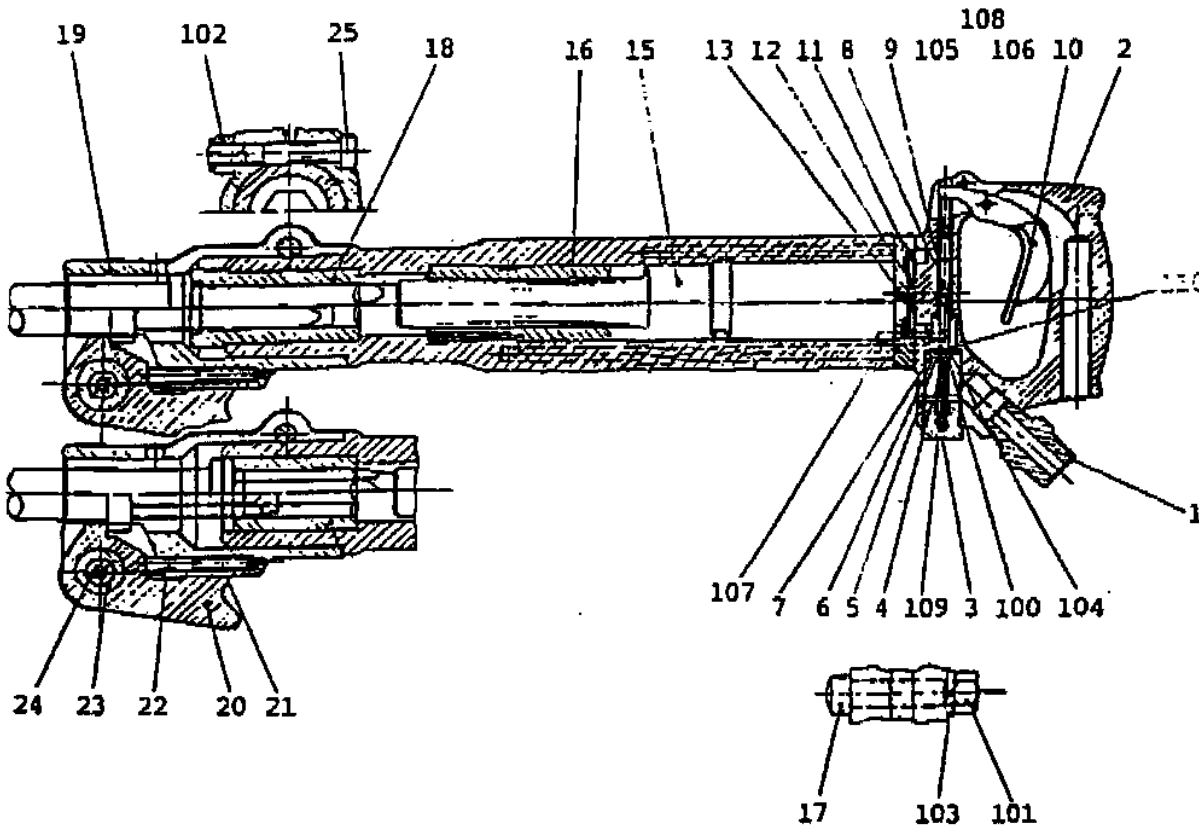


TYB30 PAVING BREAKER (D-HANDLE) 1" x 4 1/4"



****NOTE: WHEN ORDERING PARTS FOR TYB30/35, PLEASE SPECIFY SHANK SIZE**

NO.	PARTS NAME.	Q'TY	NO.	PARTS NAME.	Q'TY
1	Inlet Bush	1	19	Chisel Holder	1
2	Handle	1	20	Stopper	1
3	Throttle Plug	1	21	Stopper Spring	1
4	Throttle Spring	1	22	Stopper Pin	1
5	Throttle Washer	1	23	Stopper Ring	1
6	Valve Seat	1	24	Retainer	1
7	Washer	1	25	Set Bolt	1
8	Throttle Valve	1	100	Hex. Nut.	2
9	Throttle Bush	1	101	Hex. Nut.	1
10	Lever	1	102	Nylon Hex. Nut.	2
11	Cylinder Washer	1	103	Spring Washer	1
12	Valve	1	104	Tooth Washer	1
13	Joint	2	105	Roller Pin (Throttle)	1
15	Piston	1	106	Roller Pin (Lever)	1
16	Liner	1	107	Roller Pin (Valve)	1
17	Side Bolt	2	108	Spring Pin (Handle)	1
18	Shank Bush (1" Hex.)	1	109	Spring Pin (Throttle Plug)	1
			110	O Ring	1

For Parts Call Tools Renewed (800) 247-3639 Fax (860) 665-9821