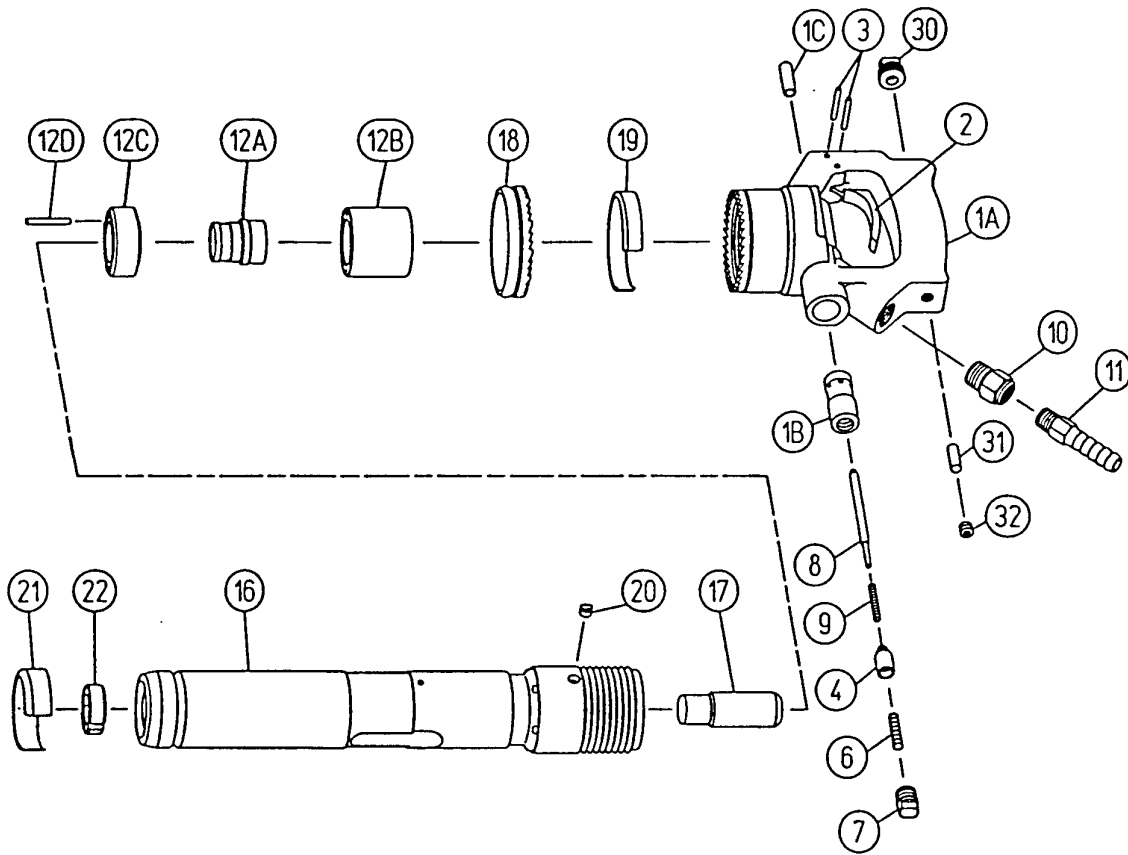


TOKU  A-90NI/NBI RIVETTING HAMMER Parts List z10466g1



MODEL CODE : 51-04-66(NI)
: 51-04-67(NBI)

Symbol No.	Parts No.	Description	Q'ty Req
01A	41-04-66-010	HANDLE	1
01B	41-04-60-060	THROTTLE VALVE BUSHING	1
01C	41-02-21-300	THROTTLE VALVE STEM GUIDE	1
02	41-02-11-120	TRIGGER	1
03	13-04-01-030	TRIGGER PIN	2
04	41-04-66-050	THROTTLE VALVE	1
06	13-08-01-065	THROTTLE VALVE SPRING	1
07	13-49-05-019	THROTTLE VALVE CAP	1
08	41-04-66-C10	THROTTLE VALVE PIN	1
09	13-08-01-066	VALVE PIN SPRING	1
10	13-47-04-030	SCREW BUSHING 1/2X3/8	1
11	13-48-03-040	HOSE STEM 3/8X1/2	1
12A	41-04-60-100	VALVE	1
12B	41-04-60-150	VALVE BOX	1
12C	41-04-60-140	VALVE SEAT	1
12D	13-04-01-057	VALVE KNOCK 4.5X35	1

Symbol No.	Parts No.	Description	Q'ty Req
16	41-04-63-191	CYLINDER (For A-90NI)	1
	41-04-64-191	CYLINDER (For A-90NBI)	1
17	41-04-63-200	PISTON	1
18	41-04-60-300	CLUTCH	1
19	41-04-60-310	CLUTCH BAND	1
20	41-04-60-320	CLUTCH KEY	1
21	41-04-60-470	EXHAUST BAND	1
22	41-04-63-560	PISTON STOPPER (For A-90NI)	1
	41-04-64-560	PISTON STOPPER (For A-90NBI)	1
30	41-02-11-720	OIL PLUG NPTF 1/2	1
31	13-61-01-011	OIL CONTROL FELT	1
32	13-49-01-001	OIL CONTROL PLUG PP-2 PT 1/8	1

Tools Renewed Inc
Tel:800-247-3639 Fax:860-665-9821