

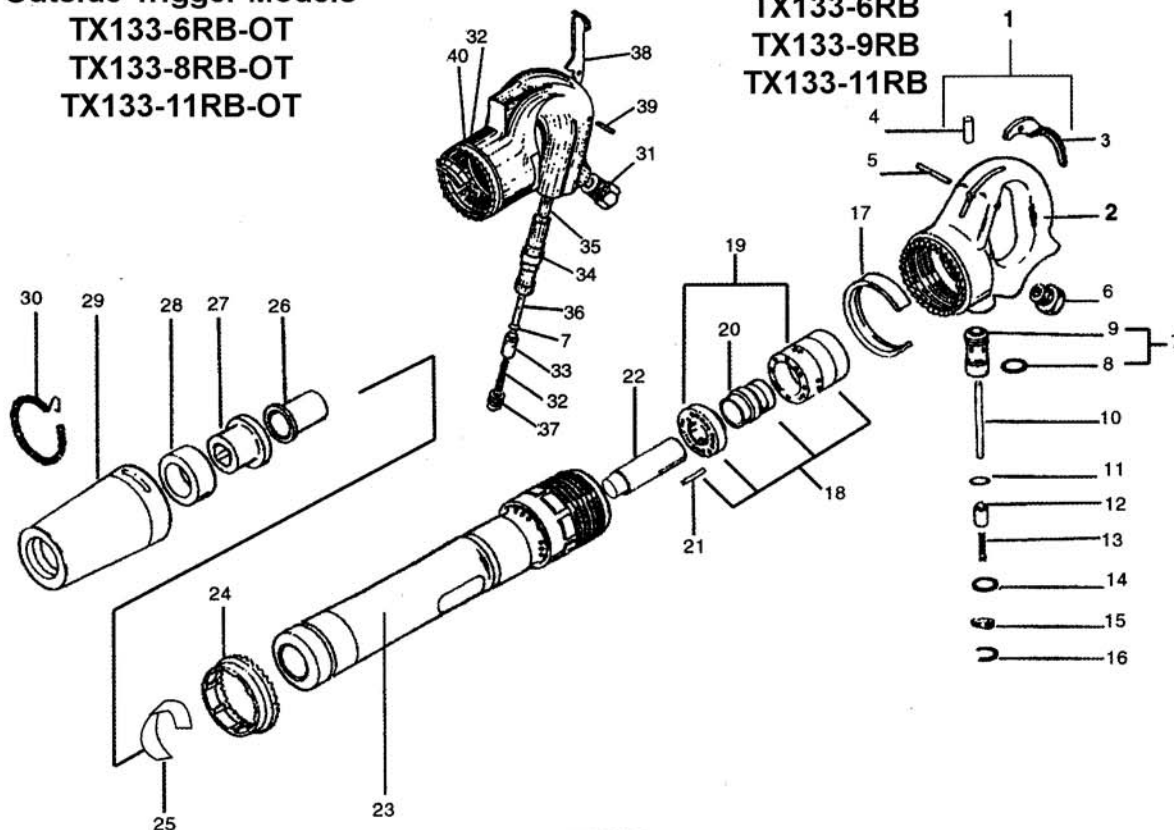
Texas Pneumatic Rivet Busters

Outside Trigger Models

- TX133-6RB-OT
- TX133-8RB-OT
- TX133-11RB-OT

Inside Trigger Models:

- TX133-6RB
- TX133-9RB
- TX133-11RB



WARNING

ALWAYS DISCONNECT THE AIR SUPPLY BEFORE ATTEMPTING TO CHANGE A CHISEL, MOIL, OR OTHER ACCESSORY ON A PNEUMATIC TOOL OR BEFORE CARRYING OUT ANY MAINTENANCE OR REPAIR WORK ON THE TOOL.

ITEM#	PART#	DESCRIPTION	ITEM#	PART#	DESCRIPTION
1	TX13301	Handle Complete (TX13301-OT)	24	TX13324	Lock Ring
2	TX13302	Bare Handle	25	TX13325	Exhaust Deflector
3	TX13303	Lever (for inside handle)	26	2101	Upper Sleeve
4	TX13304	Throttle Lever Pin Bushing	27	2103	Lower Sleeve
5	TX13305	Lever Pin	28	2104	Rubber Bumper
6	TX13306	Inlet Bushing	29	1851	Retainer
7	TX13307	Throttle Valve Bushing Assy.	30	2194	Retainer Spring
8	TX13308	T.V. Bushing O-Ring	NOTICE: * Dry firing or blank firing this tool is subject to damaging the piston. It is advisable to never dry fire any percussion air tool. * Dry firing or blank firing is when tool is operated without being placed on object being worked on.		
9	TX13309	Throttle Valve Bushing			
10	TX13310	Throttle Valve Pin			
11	TX13311	Throttle Valve O-Ring			
12	TX13312	Throttle Valve			
13	TX13313	Throttle Valve Spring			
14	TX13314	Retainer Cap O-Ring			
15	TX13315	Retainer Cap			
16	TX13316	Retainer Clip			
17	TX13317	Lock Ring Cover			
18	TX13318	Valve Assy. Complete	31	TX00995	1/2"x1/2" Inlet Bushing (Screened)
19	TX13319	Front and Rear Valve	32	TX13313	Throttle Valve Spring
20	TX13320	Main Valve	33	TX13327	Throttle Valve with O ring
21	TX13321	Valve Pin	34	TX13328	Throttle Tube
22	TX13322	Piston (for 6" and 8" stroke)	35	TX13329	Bushing
	TX13322-11	Piston (for 11" stroke)	36	TX13330	Throttle Push Pin
23	TX13323-6	Barrel	37	TX13331	Throttle Valve Plug
	TX13323-8	Barrel (for 8" stroke)	38	TX13332	Throttle Lever (outside)
	TX13323-11	Barrel (for 11" stroke)	39	TX13333	Throttle Lever Pin
			40	TX13301-OT	Handle Complete (TX133RB-OT)