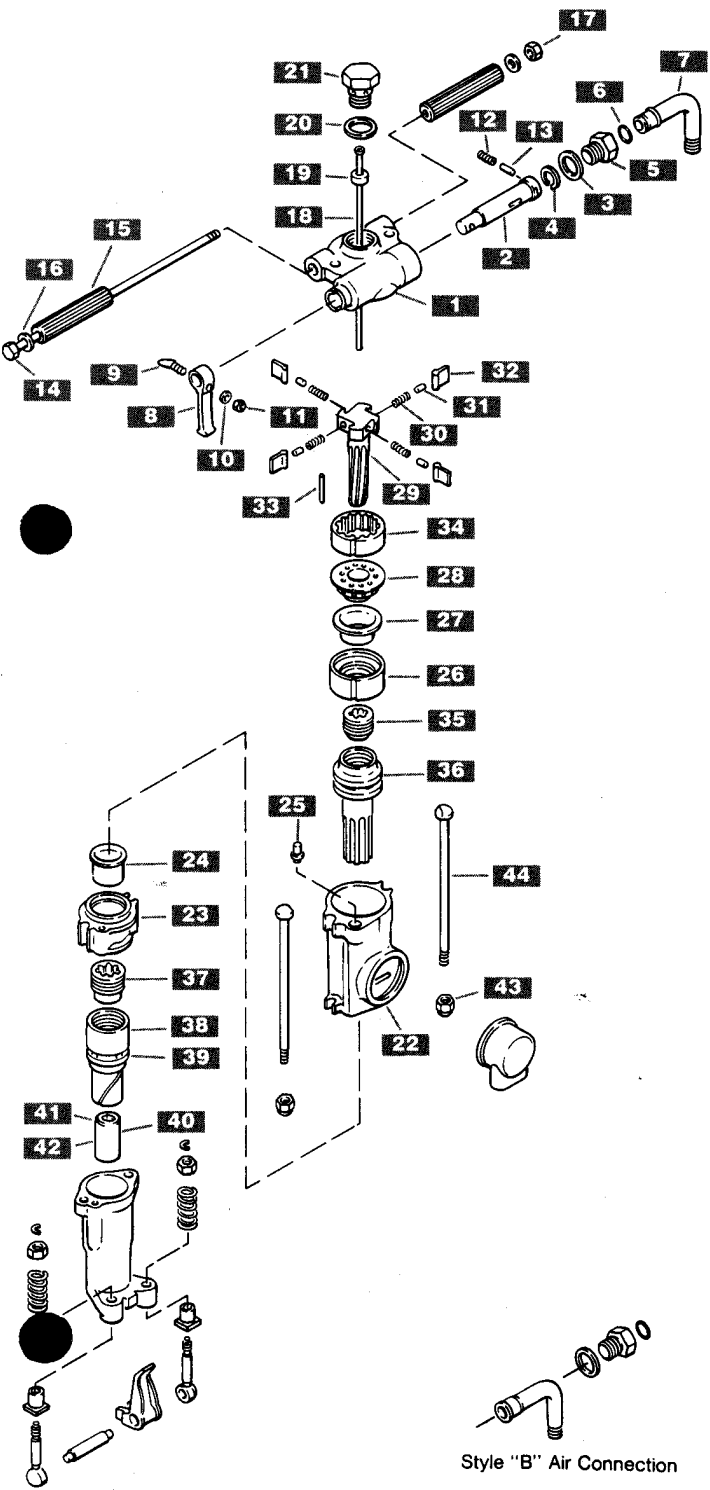


Sullair SRD-50 Rock Drill

(Same as Kent Redline Rock Drill RD-519)

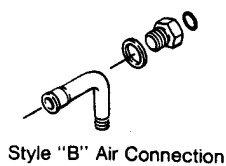


Ref. No.	KENT Part No.	Sullair SRD-50	Description
1	7339	5101	Backhead
2	7360	5104	Throttle Valve
3	7252	5213	Air Conn. Spring Washer
4	7253	5223	Air Conn. Retainer
5	7254	5222	Air Conn. Nut
6	7255	5214	Air Conn. "O" Ring
7	7256	5211	Air Connection
8	7359	5105	Throttle Valve Handle
9	7258	5208	Throttle Valve Bolt
10	7259	5210	Throttle Valve Washer
11	7260	5209	Throttle Valve Nut
12	7362	5107	Throttle Valve Spring
13	7361	5106	Throttle Valve Plunger
14	7266	5291	Handle Bolt
15	7268	5294	Handle Grip (2)
16	7269	5293	Handle Bolt Washer (2)
17	7270	5292	Handle Bolt Nut (2)
18	7356	5120	Blow Tube
19	7338	5118	Tube Gasket
20	7336	5117	Tube Gasket
21	7337	5116	Blow Tube Gland
22	7344	5137	Cylinder
23	7346	5144	Front Washer
24	7347	5143	Front Washer Bushing
25	7358	5139	Blowing Connection
26	7342	5149	Valve Chest
27	7343	5148	Valve
28	7341	5146	Valve Chest Cover
29	7340	5151	Rifle Bar
30	7296	5254	Pawl Spring (4)
31	7297	5253	Pawl Plunger (4)
32	7298	5252	Rotation Pawl (4)
33	7299	5250	Dowel Pin
34	7357	5155	Ratchet Ring
35	7345	5156	Rifle Nut
36	7351	5157	Piston
37	7350	5161	Sleeve Nut
38	7348	5162	Rotation Sleeve (For 7/8 x 3/4 Shank)
39	7349	5158	Rotation Sleeve (For 1 x 4 1/4 Shank)
40	7352	5163	Sleeve Bushing (For 7/8 x 3/4 Shank)
41	7353	5160	Sleeve Bushing (For 1 x 4 1/4 Shank)
42	7853	5159	Sleeve Bushing (For 7/8 x 4 1/4 Shank)
43	7308	5265	Siderod Nut (2)
44	7367	5166	Side Rod (2)

HANDLE

CYLINDER

Continued on back

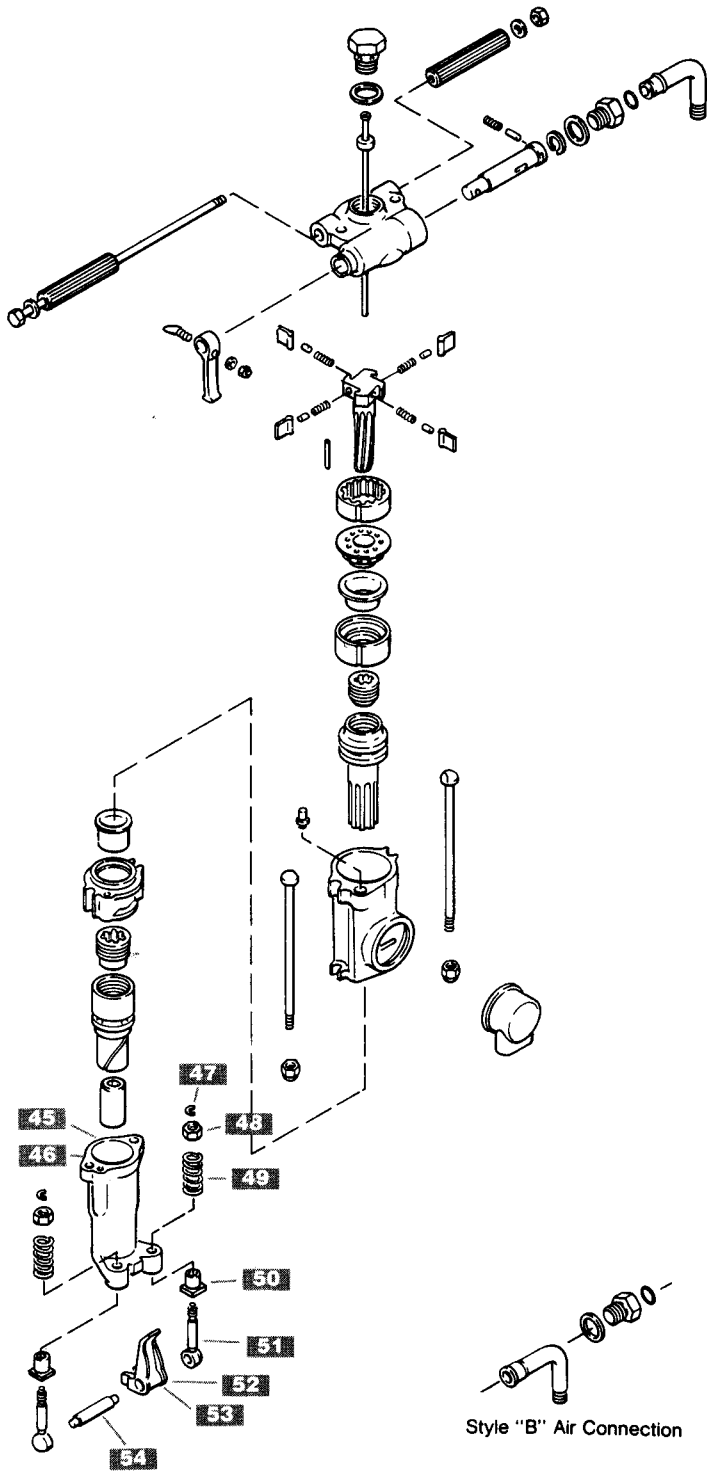


Style "B" Air Connection

Sullair SRD-50 Rock Drill

(Same as Kent Redline Rock Drill RD-519)

For Parts Call Tools Renewed Inc 800-247-3639
Fax: 860-665-9821 Email toolsrenewed@snet.net



Ref. No.	KENT Part No.	Sullair SRD-50	Description
45	7354	5198	Fronthead (For 7/8 x 3/4 Shank)
46	7355	5167	Fronthead (For 1 x 4/4 Shank)
47	7312	5276	Retainer Clamp (2)
48	7316	5275	Retainer Nut
49	7314	5273	Retainer Spring (2)
50	7363	5170	Fronthead Bushing
51	7313	5274	Retainer Bolt
52	7365	5199	Steel Holder (For 7/8 x 3/4 Shank)
53	7366	5169	Steel Holder (For 1 x 4/4 Shank)
54	7364	5172	Steel Holder Pin
55	7333	—	LO 170 Line Oiler Complete

FRONT HEAD