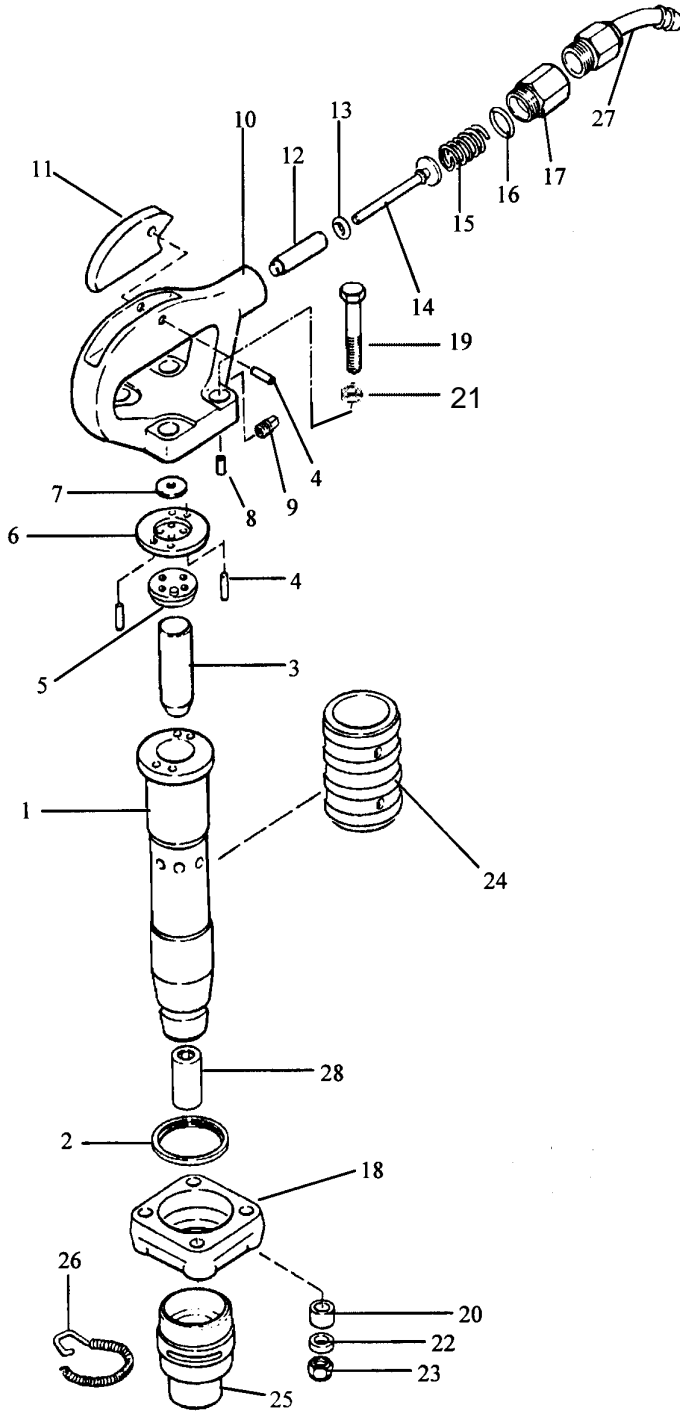




Parts: Tools Renewed Inc - 800-247-3639

KCB 2-3-4 Redline Chipping Hammer

Parts List



Item	Kent P/N	Description
Cylinder		
1	K04193	Cylinder (Barrel) 2" Stroke
	K04194	Cylinder (Barrel) 3" Stroke
	K04195	Cylinder (Barrel) 4" Stroke
2	K04196	Flange Bumper Ring
3	K04273	Piston #2 Barrel
	K04274	Piston #3 Barrel
	K04275	Piston #4 Barrel
4	K04197	Pin
5	K04198	Bumper Valve Seat
6	K04199	Valve Spacer
7	K04229	Valve Plate
8	K04230	Air Plug
9	K04231	Air Plug
NS	K04232	Handle Complete
10	K04235	Handle Bare Incl. Bushing
11	K04236	Trigger (Lever)
12	K04237	Throttle Valve Bushing
13	K04238	Throttle Valve "O"-Ring
14	K04239	Throttle Valve (One Piece)
NS	K04240	Throttle Valve Incl. K04238
15	K04241	Throttle Valve Spring
16	K04242	Air Inlet Bushing "O"-Ring
17	K04246	Air Inlet 7/8 x 24 (Standard)
18	K04243	Flange
19	K04244	BOLT / handle
20	K04245	BUMPER / plastic spacer
21	K04215	WASHER / belleville
22	K04247	WASHER / flat thick steel
23	K04248	LOCKNUT / handle bolt
NS	KBM04203	HANDLE BOLT ASSEMBLY (inc
24	K04249	Exhaust Deflector (Rubber)
25	K04173	Retainer Oval Collar
	K04188	Ball Type Retainer
26	K02428	Retainer Spring (HVD Steel)
27	K02460	Swivel 7/8 x 24 (Standard)
28	K04170	Steel Bushing Hex .580
	K04165	Steel Bushing Round .680