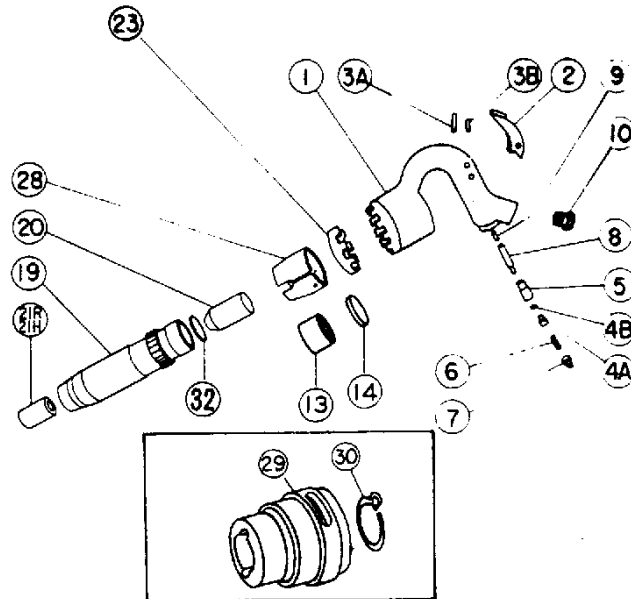


JET Air Tool Parts

JCO-RV (all sizes) Chipping Hammer



Symbol No.	Q'ty Req'd	Q'ty Req'd	Description
1	1	1	Handle
2	1	1	Lever
3A	1	1	Lever Pin (L)
3B	1	1	Lever Pin (S)
4A	1	1	Throttle Valve
4B	1	1	Throttle Valve "O" Ring
5	1	1	Throttle Valve Bush
6	1	1	Throttle Valve Spring
7	1	1	Throttle Valve Cap
8	1	1	Push Rod
9	1	1	Push Rod Sleeve
10	1	1	Screw Bush
13	1	1	Ring Valve
14	1	1	Valve Plate
19-1	1	-	Cylinder for -1R/1RB
19-2	-	1	Cylinder for -2R/2RB
19-3	1	-	Cylinder for -3R/3RB
19-4	-	1	Cylinder for -4R/4RB
20-1	1	-	Piston for -1R/1RB
20-2	-	1	Piston for -2R/2RB
20-3	1	-	Piston for -3R/3RB
20-4	-	1	Piston for -4R/4RB
21R	1	1	Shank Bush (Round)
21H	(1)	(1)	Shank Bush (Hex)
23	1	1	Clutch
28	1	1	Exhaust Band
29	-	1	Retainer
30	1	1	Retainer Spring
32	1	1	"O" Ring

For Parts Call Tools Renewed (800) 247-3639 Fax (860) 665-9821