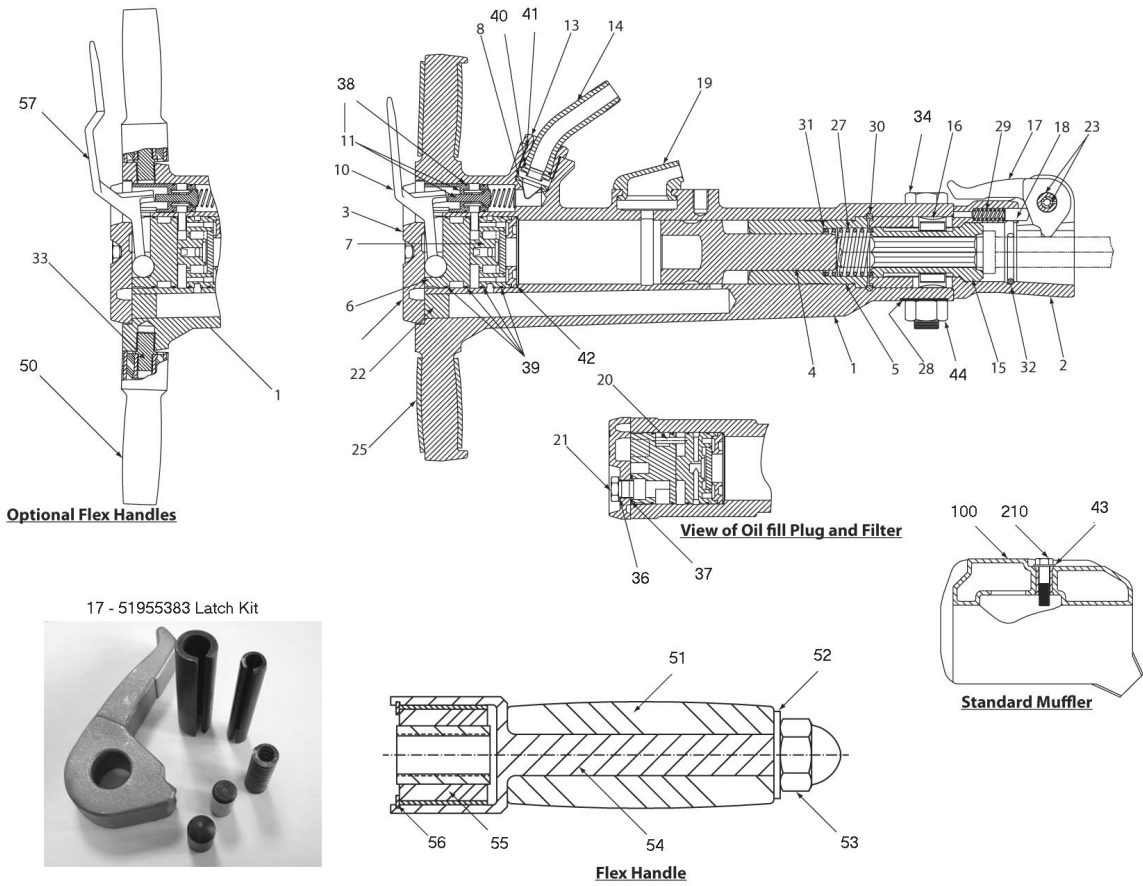


**Model: IR-MX90**

**Manufacturer INGERSOLL-RAND**



<b>Index No</b>	<b>Part No</b>	<b>Description</b>
1	NSS	NOT SOLD SEPARATEL
2	51917540	FRONTHEAD
3	51943447	BACKHEAD PLATE
4	51948388	PISTON (IR-MX-90)
5	51943462	PISTON SEAT (MX-90)
6	51949857	HOUSING PLUG
7	51955391	KIT (valve chest complete MX90)
8	51998367	AIR STRAINER (51945111)
10	51955565	LEVER, THROTTLE
11	51955375	KIT (throttle valve MX60 & MX90)
13	51361798	NUT (air inlet swivel) (no oring)
14	51361863	PIPE (inlet swivel) (no oring)
15	51948131	BUSHING-ANVIL-1-1/8in
15	51943470	BUSHING-ANVIL-1-1/4in
16	51944015	RETAINER (anvil bushing / 2 req)
17	51955383	LATCH KIT - IR MX60/90

18	51945079	PLUNGER	_____
19	51729036	EXHAUST DEFLECTOR (MX-60 & 90)	_____
20	52089802	FILTER	_____
21	51370203	PLUG	_____
22	51944007	PLUG	_____
23	51792802	KIT (roll pins / 2pc)	_____
25	51952869	GRIP (rubber sleeve)	_____
27	51952828	SPRING (anvil bushing)	_____
28	51378438	WASHER	_____
29	51952836	SPRING (retainer plunger)	_____
30	51955862	RING (piston seat retainer)	_____
31	51956506	SEAT (anvil bushing spring / 2 req)	_____
32	51954337	RING (anvil bushing retainer)	_____
33	51913440	CONNECTOR-FLEX	_____
34	95379608	FH-PINCH-BOLT (MX90)	_____
35	95104410	BOLT, BH	_____
36	95209870	O-RING	_____
37	95018107	ORING, BACKHEAD	_____
38	95097705	O-RING, THROTTLE BODY	_____
39	C6H20A-103	ORING, VALVE or PLUG (03242559)	_____
40	95086161	O-RING (swivel pipe)	_____
41	95086112	O-RING (swivel nut)	_____
42	95086583	ORING, VALVE COVER	_____
43	51948016	WASHER	_____
44	95471165	NUT (MX90 fronthead pinch bolt)	_____
50	52084936	HANDLE-FLEX ASSEMBLY	_____
51	52084902	GRIP-FLEX HANDLE	_____
52	51948016	WASHER	_____
53	95914404	NUT	_____
54	52084936	HANDLE-FLEX ASSEMBLY	_____
55	52091105	HANDLE BUSHING	_____
56	95955829	RING	_____
57	51943017	THROTTLE LEVER	_____