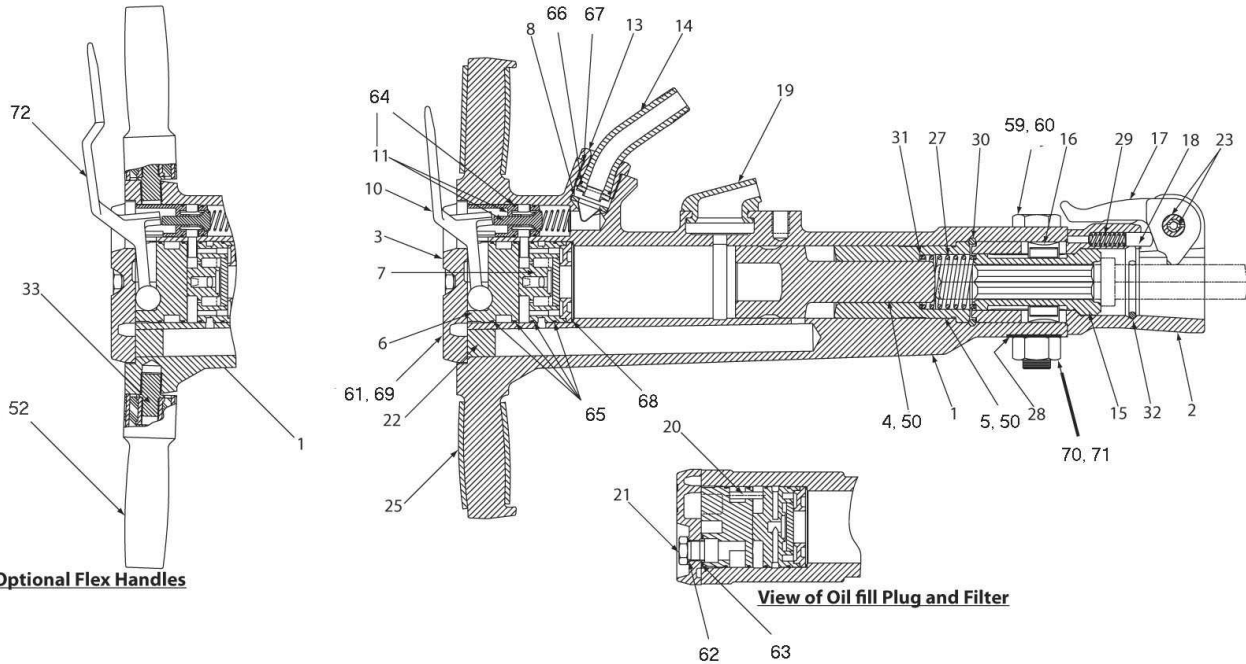


Model: IR-MX20

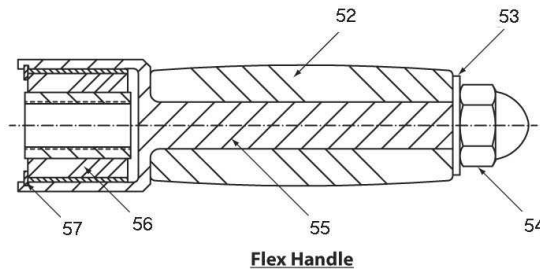
Manufacturer INGERSOLL-RAND



Optional Flex Handles

View of Oil fill Plug and Filter

17 - 51955383 Latch Kit



Flex Handle

Index No	Part No	Description
1	NSS	NOT SOLD SEPARATELY
2	51917540	FRONTHEAD
3	51943447	BACKHEAD PLATE
4	51984615	PISTON (MX-60 before RVL-1501 / cup top)
5	51949907	PISTON SEAT-old- (MX-60 before RVL-1501)
6	51949857	HOUSING PLUG
7	52082682	VALVE CHEST KIT (MX60)
8	51998367	AIR STRAINER (51945111)
10	51943017	THROTTLE LEVER
11	51955375	KIT (throttle valve MX60 & MX90)
13	51361798	NUT (air inlet swivel) (no oring)
14	51361863	PIPE (inlet swivel) (no oring)
15	51943470	BUSHING-ANVIL-1-1/4in
15	51948131	BUSHING-ANVIL-1-1/8in
16	51944015	RETAINER (anvil bushing / 2 req)
17	51955383	LATCH KIT - IR MX60/90

18	51945079	PLUNGER	_____
19	51729036	EXHAUST DEFLECTOR (MX-60 & 90)	_____
20	52089802	FILTER	_____
21	51370203	PLUG	_____
22	51983666	PLUG - RUBBER	_____
23	51792802	KIT (roll pins / 2pc)	_____
25	51952869	GRIP (rubber sleeve)	_____
27	51952828	SPRING (anvil bushing)	_____
28	51369171	WASHER (MX-60 before RVL-1501)	_____
28	52080736	WASHER (MX-60 fronthead after RVL-1501)	_____
29	51952836	SPRING (retainer plunger)	_____
30	51955862	RING (piston seat retainer)	_____
31	51956506	SEAT (anvil bushing spring / 2 req)	_____
32	51954337	RING (anvil bushing retainer)	_____
33	51913440	CONNECTOR-FLEX	_____
37	95018107	ORING, BACKHEAD	_____
50	51999720	PISTON (MX-60 after RVL-1501 / flat top)	_____
51	51999738	PISTON SEAT (MX-60 after RVL-1501)	_____
52	52084902	GRIP-FLEX HANDLE	_____
53	51948016	WASHER	_____
54	95914404	NUT	_____
55	52084936	HANDLE-FLEX ASSEMBLY	_____
56	52091105	HANDLE BUSHING	_____
57	95955829	RING	_____
58	51913440	CONNECTOR-FLEX	_____
60	95105573	BOLT (MX-60 fronthead before RVL-1501)	_____
61	95749537	BOLT (MX-60 fronthead after RVL-1501)	_____
62	95104410	BOLT, BH	_____
63	95209870	O-RING	_____
64	95018107	ORING, BACKHEAD	_____
65	95097705	O-RING, THROTTLE BODY	_____
66	95086161	O-RING (swivel pipe)	_____
67	95086112	O-RING (swivel nut)	_____
68	95086583	ORING, VALVE COVER	_____
69	51948016	WASHER	_____
70	95227112	NUT (MX-60 fronthead before RVL-1501)	_____
71	95477196	NUT (MX-60 fronthead after RVL-1501)	_____
72	52084936	HANDLE-FLEX ASSEMBLY	_____
73	51955565	LEVER, THROTTLE	_____