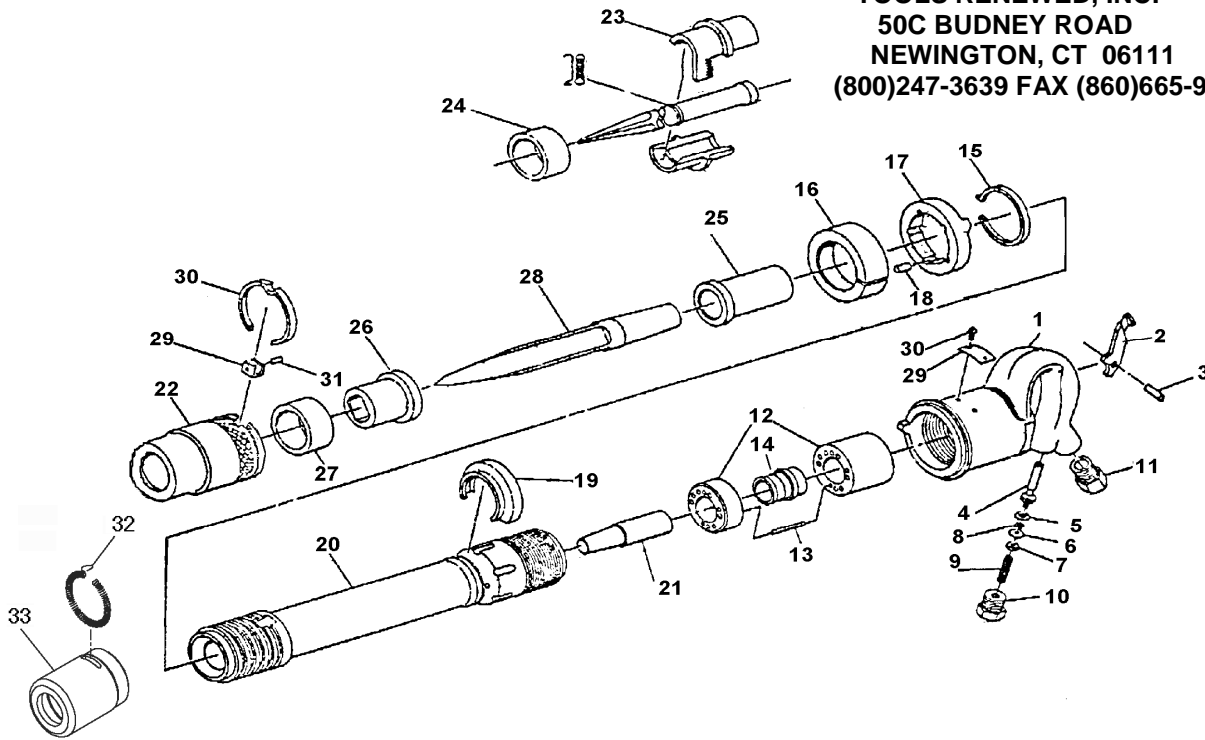


INGERSOLL-RAND 9001 and 11001 RIVET BUSTER

TOOLS RENEWED, INC.
 50C BUDNEY ROAD
 NEWINGTON, CT 06111
 (800)247-3639 FAX (860)665-9821



Item No.	Part No.	Description	Item No.	Part No.	Description
1	AS-1A	Handle Assembly	19	AS-85	Exhaust Deflector
2	H80-134A	Throttle Lever	20	9001-6	Barrel for 9001 (Threaded)
3	F02-15	Throttle Lever pin		9001-6A	Barrel for 9001A (Non-Threaded)
4	8000-50	Rubber Faced T. Valve Assy		11001-6	Barrel for 1101 (Threaded)
5	8000-159A	Throttle Valve Face		11001-6A	Barrel for 1101A (Non-Threaded)
6	8000-157	Throttle Valve Face Cap	21	9001-5A	Piston
7	73H-158	Throttle Face Cap Nut	22	9001-200	Retainer Nut (Threaded Style)
8	H54U-352	Throttle Face Lock Washer	23	9RB-220	Split Nozzle
9	H80-11	Throttle Valve Spring	24	9RB-203	Rubber Buffer
10	8000-109	Throttle Valve Cap	25	9001-220	Upper Sleeve
11	H80-82A	Inlet Bushing	26	9001-201	Lower Sleeve
	9RB-A4	Valve Box Assy	27	9001-203	Rumber Bumper
12	9RB-4	Valve Box		9001-A207	Lock Assembly
13	A-32	Dowel Pin	29	9001-208	Lock key (optional)
14	A-2	Valve	30	9RB-207	Lock Spring
15	AS-194	Locking Spring	31	FMD2-667	Lock Key Pin (optional)
16	AS-195	Locking Spring Cover	32	11001-308	Lock Spring
17	AS-196	Locking Ring	33	11001-18	Retainer (Plain-Type)
18	AS-197	Locking Ring Pin			