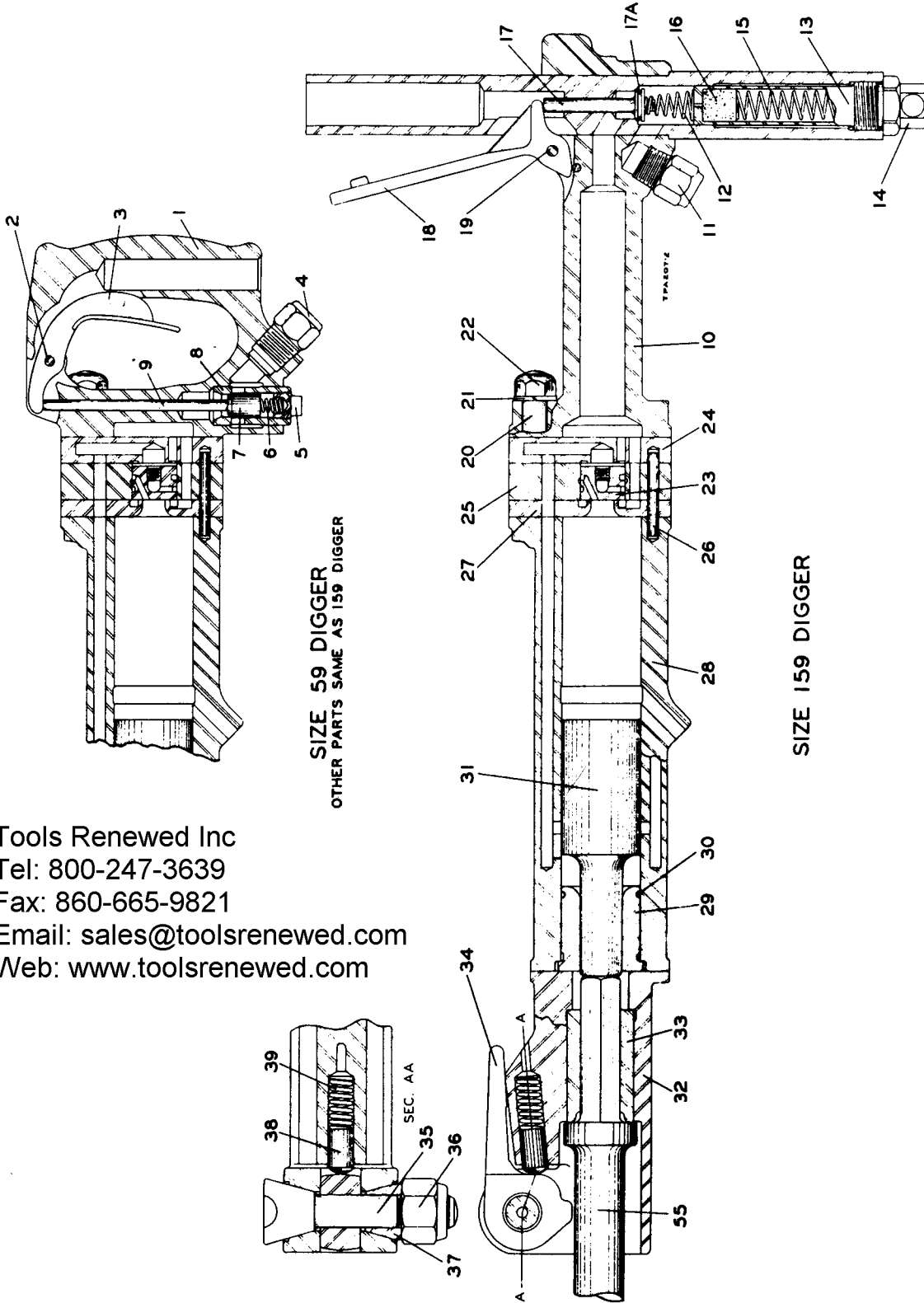


INGERSOLL-RAND MODEL 59 AND 159 DIGGER



SIZE 59 DIGGER
OTHER PARTS SAME AS 159 DIGGER

SIZE 159 DIGGER

Tools Renewed Inc
 Tel: 800-247-3639
 Fax: 860-665-9821
 Email: sales@toolsrenewed.com
 Web: www.toolsrenewed.com

INGERSOLL-RAND MODEL 59 AND 159 DIGGER

INDEX	PART NO.	REF. NO.	NAME OF PART	INDEX	PART NO.	REF. NO.	NAME OF PART
HANDLE							
2	13SR-265	2014	Throttle Lever Pin	34	59H-241	3520	Retainer
3	97MP-18	2013	Throttle Lever	35	59H-242	3521	Retainer Bolt
4-11	H80-82A	2015	Reducer Bushing 1/2" x 3/8" Pipe	36	59H-243	3522	Retainer Bolt Nut
6	H80-11	2010	Throttle Valve Spring	37	59H-244	3523	Cone Washer
7	503-50	2009	Throttle Valve	38	59H-245	3524	Retainer Plunger
8	159H-53	3499	Throttle Valve Assy.	39	59H-246	3525	Plunger Spring
9	AS-116A	2012	Push Pin		A01-46	824	1/2" Hose 3/8" Pipe Nipple
					59H-9	3504	Side Rod
12	TAA-418	2106	Throttle Spring				
13	157H-A72	3510	Oiler Body				
14	157H-73	3500	Oiler Plug				
15	157H-74	3501	Oiler Spring				
16	157H-71	3502	Oiler Felt				
17	159-53	3503	Throttle Valve				
17A	PS3-51	3512	Throttle Valve "O" Ring				
18	158H-66	3511	Throttle Lever				
19	13SR-264	2111	Pivot Pin				
CYLINDER							
20	59H-9	3504	Side Rod Incl. 2017, 2018				
21	H80-67	2018	Handle Bolt Washer				
22	H3R-8	2017	Handle Bolt Nut				
23	59H-40	3505	Valve				
25	59H-41	3507	Valve Box				
26	57H-21	3508	Valve Box Dowel				
27	59H-44	3509	Bottom Cap				
29	59H-101A	3515	Barrel Bushing				
30	59H-102	3519	Barrel Bushing Seal				
31	59H-200	69	Piston				
FRONTHEAD							
33	73H-86	1313	Hex Bushing 7/8" x 3 1/4"				
33	73H-86R	3498	Hex Round Bushing 7/8" x 3 1/4"				

Tools Renewed Inc
 Tel: 800-247-3639
 Fax: 860-665-9821
 Email: sales@toolsrenewed.com
 Web: www.toolsrenewed.com