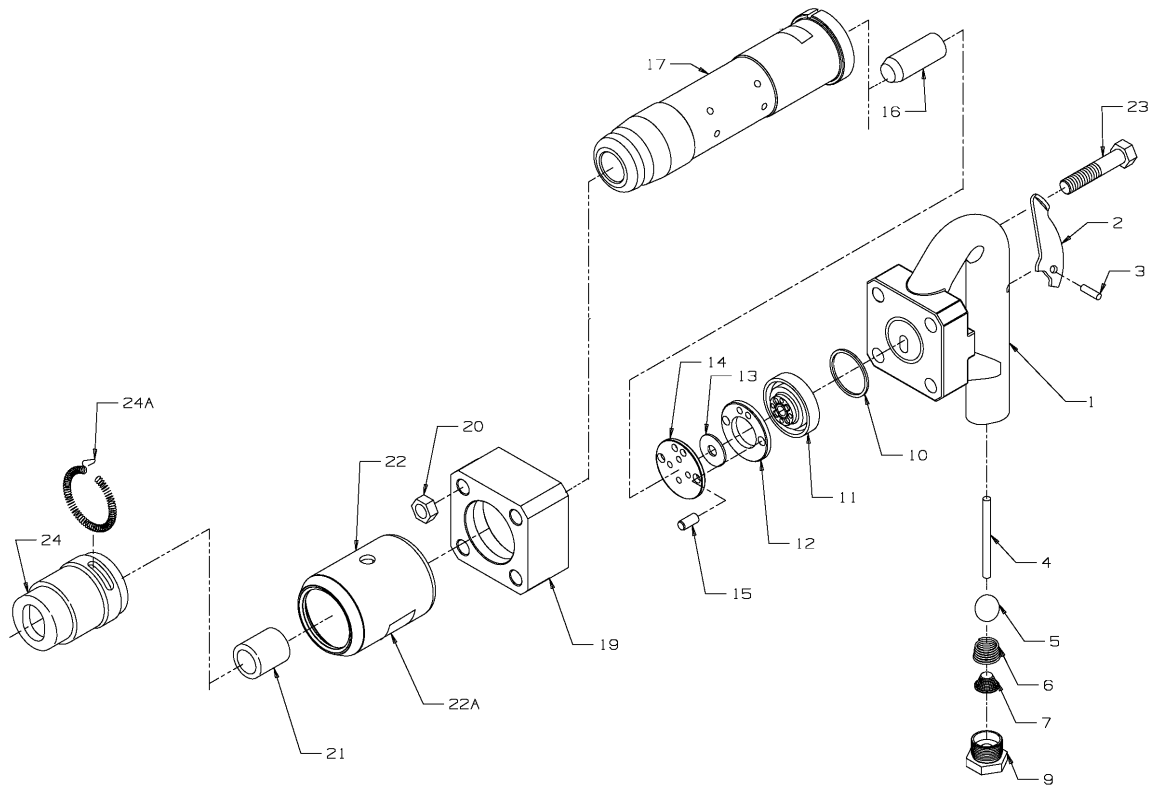


## Parts for Ingersoll-Rand Models 2DA, 3DA, 4DA Chipping Hammers



Index	Description	Part No.	Index	Description	Part No.
1	Grip Handle Assembly		16	Piston	
	for 2DA, 3DA, 4DA	3DA-A1		for 2DA	HH1-5
				for 3DA, 4DA and DT3-EU	HH4-5
2	Throttle Lever	3DA-134	17	Barrel	
3	Roll Pin	C-15		for 2DA	2DA-6
4	Throttle Valve Plunger	3DA-604		for 3DA	3DA-6
5	Throttle Valve Ball	HH-602A		for 4DA	4DA-6
6	Throttle Valve Spring	3DA-51			
7	Air Strainer	834-61	19	Collar	3DA-A43
9	Inlet Bushing		20	Nylock Nut (4)	3DA-305
	7/8" -24 (for 2DA, 3DA, 4DA)	3DA-382	21	Nozzle	
	3/8" for MDT3-EU	3DA-282		.680" round	B01-19B
10	O-ring	3DA-121		.580" hex	B01-7B
11	Valve Cap	HH-4	22	Exhaust Deflector	3DA-85
12	Valve Spacer	HH-8A	23	Bolt (4)	3DA-549
13	Valve	HH-2A	24	Arrow Retainer (Plain Type)	HH1-1190
14	Valve Seat	HH-3	24A	Lock Spring	HH1-1194
15	Dowel Pin (2)	HH-32			

**Tools Renewed, Inc**

Tel: 800-247-3639 Fax: 860-665-9821

Email: sales@toolsrenewed.com Web: www.toolsrenewed.com