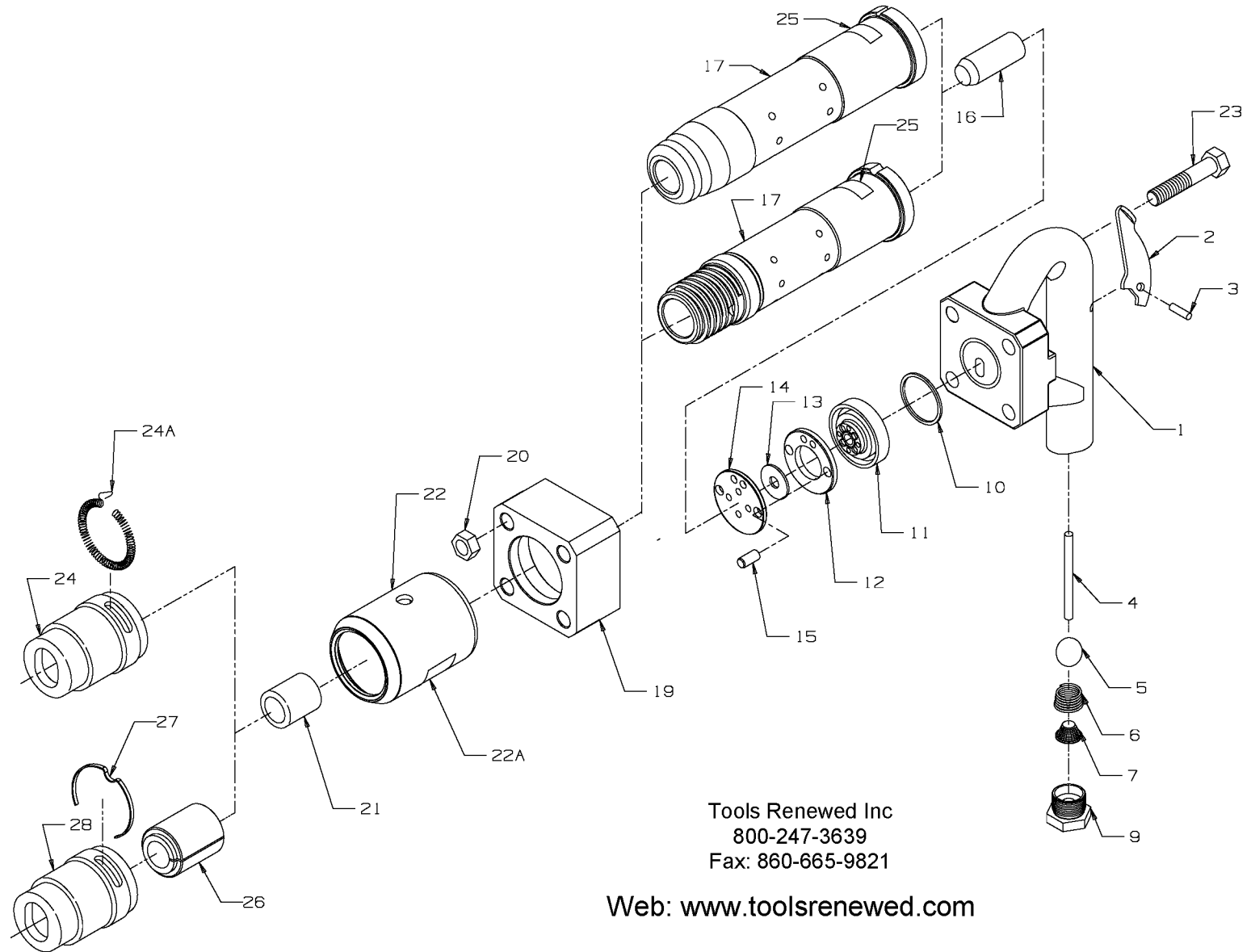


SERIES 2D, 3D, 4D AND MDT3-EU HAMMERS



Tools Renewed Inc
800-247-3639
Fax: 860-665-9821

Web: www.toolsrenewed.com

SERIES 2D, 3D, 4D AND MDT3-EU HAMMERS

PART NUMBER FOR ORDERING

PART NUMBER FOR ORDERING

1	Grip Handle Assembly for 2DA, 3DA, 4DA	3DA-A1 3DA-A1-EU	19	Collar	3DA-A43
	for MDT3-EU		20	Nyloc Nut (4)	3DA-305
2	Throttle Lever	3DA-134	21	Nozzle	
3	Roll Pin	C-15		.680" round	B01-19B
4	Throttle Valve Plunger	3DA-604		.580" hex	B01-7B
5	Throttle Valve Ball	HH-602A	22	.780" hex (MDT3-EU only)	3DA-330
6	Throttle Valve Spring	3DA-51	22A	Exhaust Deflector	3DA-85
7	Air Strainer	834-61		Noise Label (-EU models only)	92679646
9	Inlet Bushing		23	Bolt (4)	3DA-549
	7/8"-24 (for 2DA, 3DA, 4DA)	3DA-382	24	Arrow Retainer (Plain Type)	HH1-1190
	3/8" for MDT3-EU	3DA-282	24A	Lock Spring	HH1-1194
10	O-ring	3DA-121	25	Warning Label	
11	Valve Cap	HH-4		for 2DA, 3DA and 4DA	WARNING-2-99
12	Valve Spacer	HH-8A		for MDT3-EU	EU-99
13	Valve	HH-2A	26	Buffer Screw Retainer (for -EU models only)	3DW-50
14	Valve Seat	HH-3	27	Retainer Lock Spring (for -EU models only)	24SR-207
15	Dowel Pin (2)	HH-32	28	Retainer (for -EU models only; threaded barrel) ...	HHW1-300
16	Piston				
	for 2DA	HH1-5			
	for 3DA, 4DA and MDT3-EU	HH4-5			
17	Barrel				
	for 2DA	2DA-6			
	for 3DA	3DA-6			
	for 4DA	4DA-6			
	for MDT3-EU (threaded)	3DW-EU-6			

Tools Renewed Inc
800-247-3639
Fax: 860-665-9821