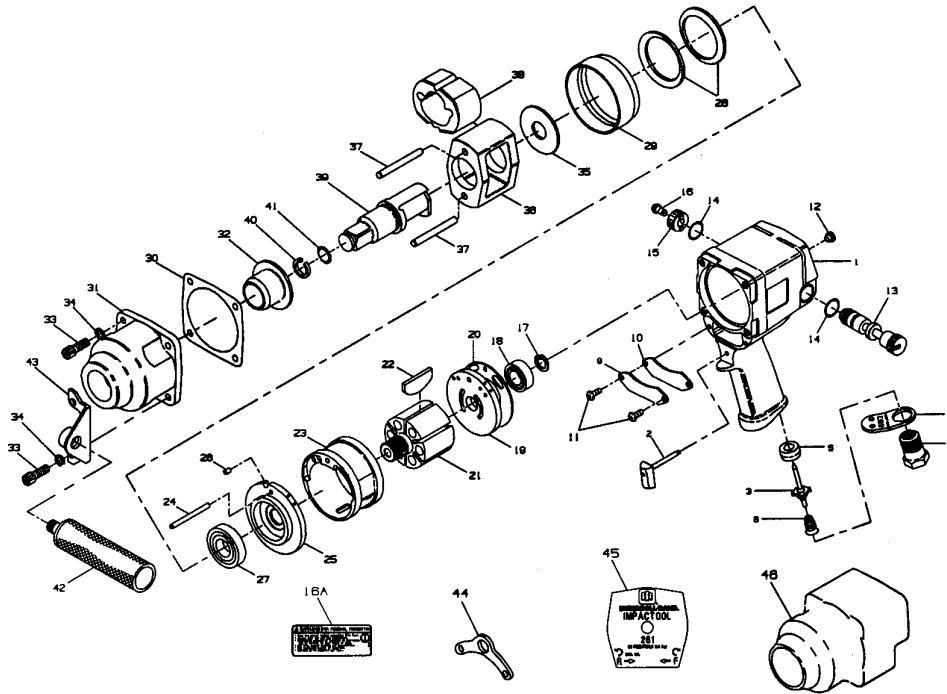


# Ingersol Rand 261 Impact 3/4" & 1"



Tools Renewed Inc 1-800-247-3639 fax 1-860-665-9821 www.toolsrenewed.com

1	Motor Housing Assembly for 261, 261-3, 261-6 and 271 .....	261-A40	33	Hammer Case Cap Screw (4) ...	34U-103
	for 261-EU, 261-3-EU, 261-6-EU and 271-EU ...	261-EU-A40	34	Cap Screw Lock Washer (4) ....	T11-58
2	Trigger Assembly .....	2920P-A93	35	Rear Hammer Frame Washer ...	910-706
3	Throttle Valve .....	291-302	36	Hammer Frame Assembly .....	2910-A703
5	Throttle Valve Seat .....	DG230-303	37	Hammer Pin (2) .....	2910-704
6	Throttle Valve Spring .....	1720P-51	38	Hammer .....	260-724
7	Exhaust Deflector .....	1720P-23	39	Anvil Assembly 3/4" Square Drive for 261-3 and 261-3-EU ..	261-A626-3
8	Inlet Bushing .....	2920P-465		for 261 and 261-EU .....	1710-A626A
9	Housing Plate .....	1720P-230		3/4" Square Drive with extended anvil for 261-6 and 261-6-EU ..	265-A626-6
10	Housing Plate Gasket .....	1720P-231		1" Square Drive for 271 and 271-EU .....	275-A626
11	Housing Plate Screw (2) .....	FEA100-112	40	Socket Retainer 3/4" for 261, 261-3, 261-6, 261-EU, 261-3-EU and 261-6-EU .....	908B5-918
12	Grease Fitting .....	130SR-188		1" for 271 and 271EU ...	910E5-918
13	Reverse Valve .....	1710B-329	41	Socket Retainer O-ring for 261, 261-3, 261-6, 261-EU, 261-3-EU and 261-6-EU .....	AF120-289
14	Reverse Valve Seal (2) .....	261-283		for 271 and 271-EU .....	R4-210
15	Reverse Valve Knob .....	231-666	42	Handle (for 271 and 271-EU) ..	834-48
16	Reverse Valve Knob Screw ..	231-665	43	Bracket (for 271 and 271-EU) ..	2910B-364
16A	Warning Label for 261, 261-3, 261-6 and 271 .....	WARNING-2-99	44	Horizontal Hanger .....	910-366
	for 261-EU, 261-3-EU, 261-6-EU and 271-EU ...	EU-99	45	Nameplate for 261, 261-3 and 261-6 ..	261-301
17	Rear Rotor Bearing Retainer .....	MVA008-218		for 271 .....	271-301
18	Rear Rotor Bearing .....	4E-510		261-EU, 261-3-EU and 261-6-EU .....	261-EU-301
19	Rear End Plate .....	2921HP-12		for 271-EU .....	271-EU-301
20	Rear End Plate Gasket .....	2920B-283	46	Housing Boot .....	261-P32
21	Rotor .....	2910B-53	*	Tune-up Kt (includes illustrated parts, 3, 5, 6, 10, 14 [2], 17, 18, 20, 22, 27, 30, 40 and 41) ...	261-TK2
22	Vane Packet (set of 6 Vanes) .....	2910-42-6			
23	Cylinder .....	2920-3			
24	Cylinder Dowel .....	910-98			
25	Front End Plate .....	2921HP-11			
26	End Plate Dowel .....	2920-74			
27	Front Rotor Bearing .....	834-24			
28	Motor Clamp Washer (2) .....	2920-207			
29	Motor Retainer .....	2920B-800			
30	Hammer Case Gasket .....	910-36			
31	Hammer Case Assembly .....	261B-A727			
32	Hammer Case Bushing .....	2920-641			

\* Not illustrated.