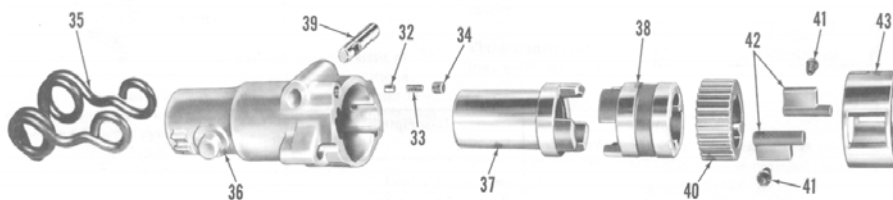
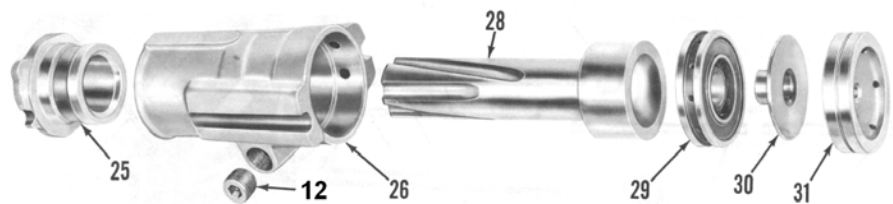
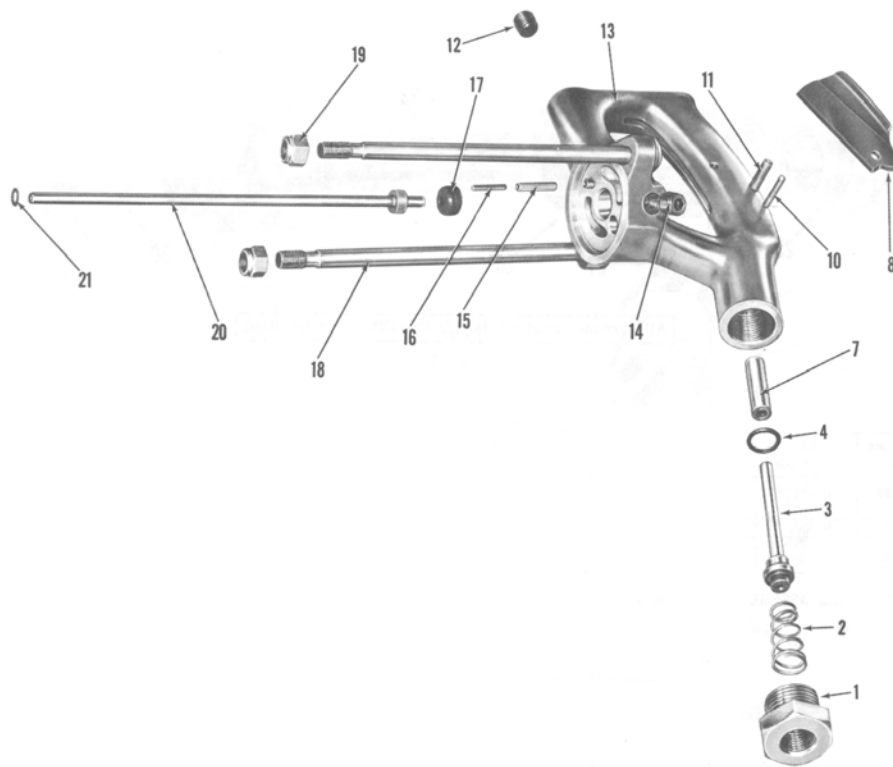


**Chicago Pneumatic Model 14-RR Handrill (15 lbs)**



Index	Part No.	Description
1	R085595	Bushing- Air Inlet
2	R085596	Spring-Throttle Valve
3	R086329	Valve-Throttle
4	R086098	O-Ring
7	R085599	Bushing-Valve Stem
8	F064534	Lever-Throttle
10	H082555	Pin-Throttle Lever Stop
11	A043627	Pin-Throttle Lever
12	C077941	Plug-Pipe
13	R119157	Handle (Incl: 4,7,12,14 & 15)
14	C068799	Plug-Pipe
15	R085580	Tube-Oil Regulating
16	R085582	Plunger-Oil Regulating
17	R085934	Rubber-Tube
18	F061564	Bolt-Thru
19	P070438	Nut-Thru Bolt
20	R079223	Tube-Air
21	C069083	O-Ring
25	R041684	Bushing-Cylinder
26	R085575	Cylinder
28	R000120	Piston
29	R085592	Seat-Front Valve
30	R085591	Valve
31	R085935	Seat-Rear Valve
32	R051349	Plunger-Detent
33	R051353	Spring-Plunger
34	C068064	Plug-Pipe
35	R050584	Retainer-Wire
36	R041685	Fronthead
37	R085600	Chuck (7/8" X 3-1/4" Shank)
38	R085601	Sleeve-Chuck
39	R051348	Plunger-Shifter
40	R093154	Ring-Ratchet
41	R086654	Spring-Pawl
42	R085588	Pawl
43	R051350	Sleeve-Shifter