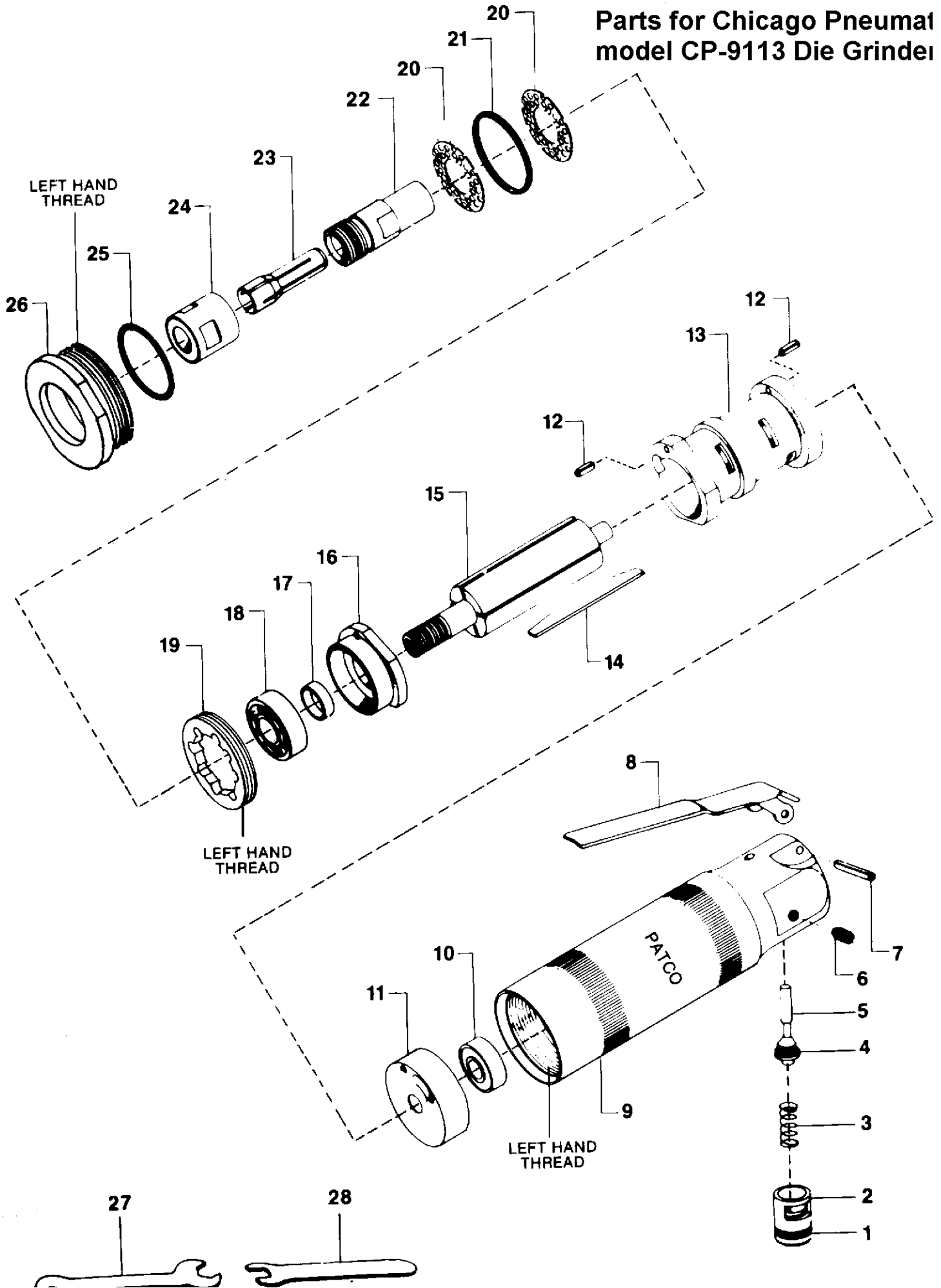


Parts for Chicago Pneumat model CP-9113 Die Grinder



Parts for Chicago Pneumatic model CP-9113 Die Grinder

PARTS LIST

PATCO INDEX NO.	PATCO PART DESCRIPTION	QTY.	REF. C.P. NO.
1.	"O" Ring	1	A-043001
2.	Cap Regulator	1	C-119180
3.	Spring Throttle Valve	1	C-119181
4.	"O" Ring	1	C-069083
5.	Valve Throttle	1	C-119179
6.	Screw - Set	1	C-119193
7.	Pin Throttle Lever	1	C-114089
8.	Lever Throttle	1	C-118777
9.	Housing Motor	1	C-120649
10.	Bearing - Ball	1	S-065412
11.	Plate Rear End	1	C-119182
12.	Pin - Liner	2	C-087791
13.	Liner	1	C-119183
14.	Blade - Rotor	4	C-119191
15.	Rotor	1	C-119184
16.	Plate - Front End	1	C-119185
17.	Spacer - Bearings	1	C-119192
18.	Bearing - Ball	1	C-120326
19.	Nut Clamp	1	C-119187
20.	Washer Noise Reduction	2	C-121859
21.	"O" Ring	1	P-053515
22.	Shank	1	C-119256
23.	Collet ¼	1	C-119729
24.	Nosepiece - Collet	1	C-119255
25.	"O" Ring	1	C-053740
26.	Nut Protection	1	C-121749
27.	Wrench - Open End	1	C-119327
28.	Wrench - Collet	1	C-116858