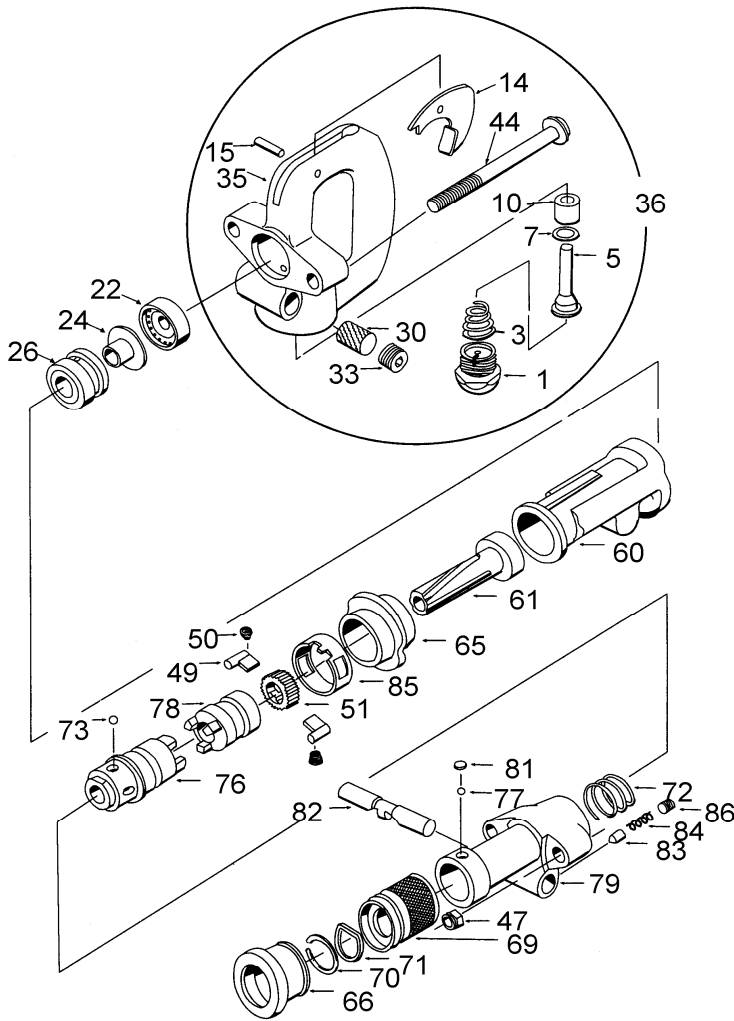


Parts for Chicago Pneumatic Model 9 Rockdrill (9 lbs)



Index	Part No.	Description	Qty Used
1	R085893	Bushing-Inlet	1
3	R085596	Spring-TV	1
5	R086329	Valve-Throttle	1
7	R086098	Seat-T.V.	1
10	F815426	Bushing-TV	1
14	F027853	Lever-Throttle	1
15	R075404	Pin-Throttle Lev	1
22	R085896	Seat-Rear Valve	1
24	R085897	Valve	1
26	R085898	Seat-Front Valve	1
30	R085895	Felt-Oil	1
33	C077941	Plug-Pipe	1

Index	Part No.	Description	Qty Used
35		Repl. By: R278016	1
36	R278016	Handle Complete w/ 1, 3, 5, 7, 10, 14, 15, 30, 33, 35	1
44	F034249	Bolt-Thru	2
47	S013073	Nut-Thru Bolt	2
49	R051355	Pawl	2
50	R085890	Spring-Pawl	2
51	F816123	Ring-Ratchet	1
60	R085586	Cylinder	1
61	F816122	Piston	1
65	R051356	Bushing-Cylinder	1
66	F815343	Excluder-Dust	1
69	Z8375412	Retainer Sleeve Set (69, 70, 71 & 66)	1
70	F826893	Ring-Retainer	1
71	F826683	Plate-Retainer	1
72	R086605	Spring-Sleeve Ret	1
73	Z8768412	Ball-Steel Set of 4	1 set
76	F826892	Chuck	1
77	Z8767412	Ball—Set of 17	1 set
78	Z366412	Round Chuck Assy (73, 76 & 77)	1
79	F816120	Fronthead	1
81	F061888	Plug-Ball Retainer	1
82	Z8294412	Rotation Release Set (82, 83, 84, 85 & 86)	1
83	R051352	Plunger-Shifter Detent	1
84	R051353	Spring-Plunger	1
85	F816124	Sleeve-Shifter	1
86	C102507	Plug-Pipe	1
*139	F815350	Muffler-Complete	1