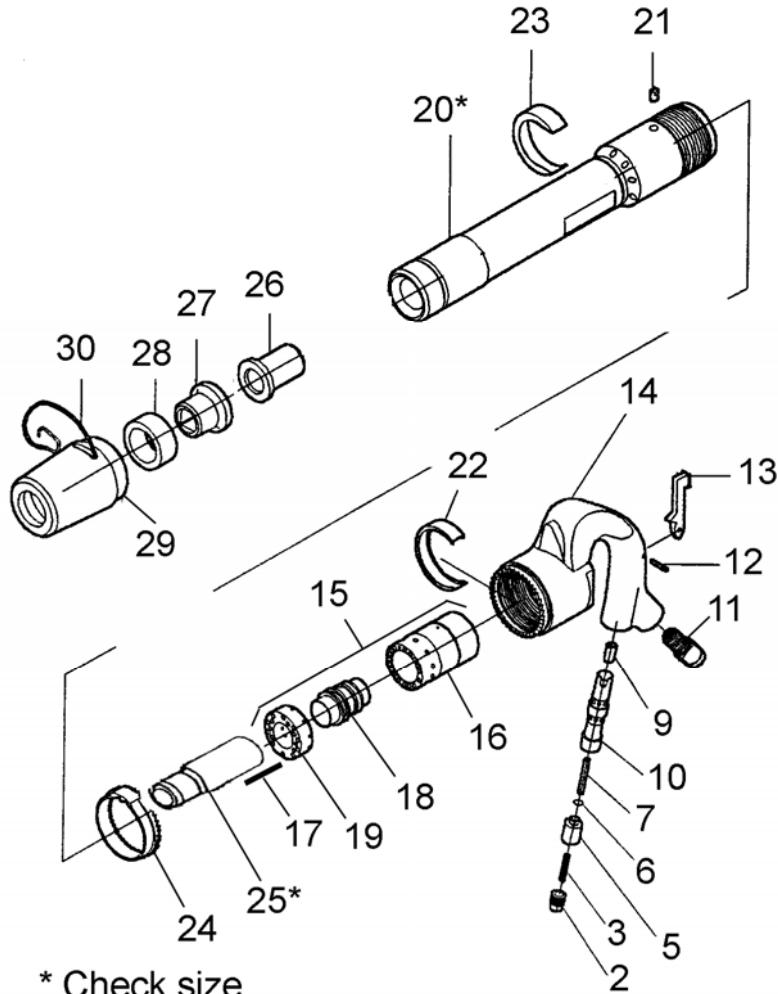
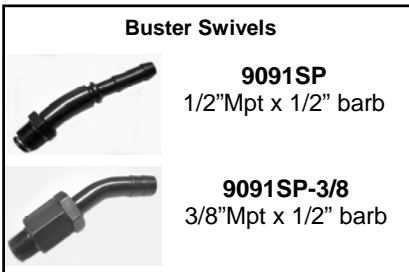


Chicago Pneumatic Model 4608 (8") & 4611 (11") Rivet Buster
 Replaces Model 4181 after 2008 (Retained Piston)



Item No.	Part No.	Description	Item No.	Part No.	Description
1	P007164	Handle-Complete	18	P001538	Valve
2	P001873	Plug - Valve tube	19	P006320	Lid - Valve case
3	P001853	Spring - Valve	20*	3303005092	Cylinder—8" Stroke
5	P001799	Valve - Throttle (incl. 6)	20*	3303005091	Cylinder—11" Stroke
6	P083071	O-ring	21	P001430	Key - Lock collar
7	P004834	Pin - Push	22	P001355	Clip - Spring
9	P004839	Bushing	23	P001389	Deflector - Exhaust
10	P007325	Tube - Throttle (incl. 9)	24	P001399	Collar - Lock
11	P001995	Bushing - Air inlet	25*	3303005094	Piston—8" Stroke
12	P001915	Pin - Lever	25*	3303005093	Piston—11" Stroke
13	P001982	Lever - Throttle	26	P156988	Sleeve - Upper
14	P007164	Handle—Complete	27	P072333	Sleeve - Lower
15	P007385	Valve Box Assembly	28	3303005103	Bumper
16	P006319	Case - Valve	29	P071849	Sleeve - Retainer
17	3303005086	Dowel	30	P073942	Spring - Lock