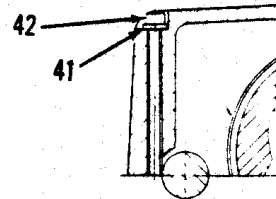


# CP-1211/CP-1211-S DEMOLITION TOOL

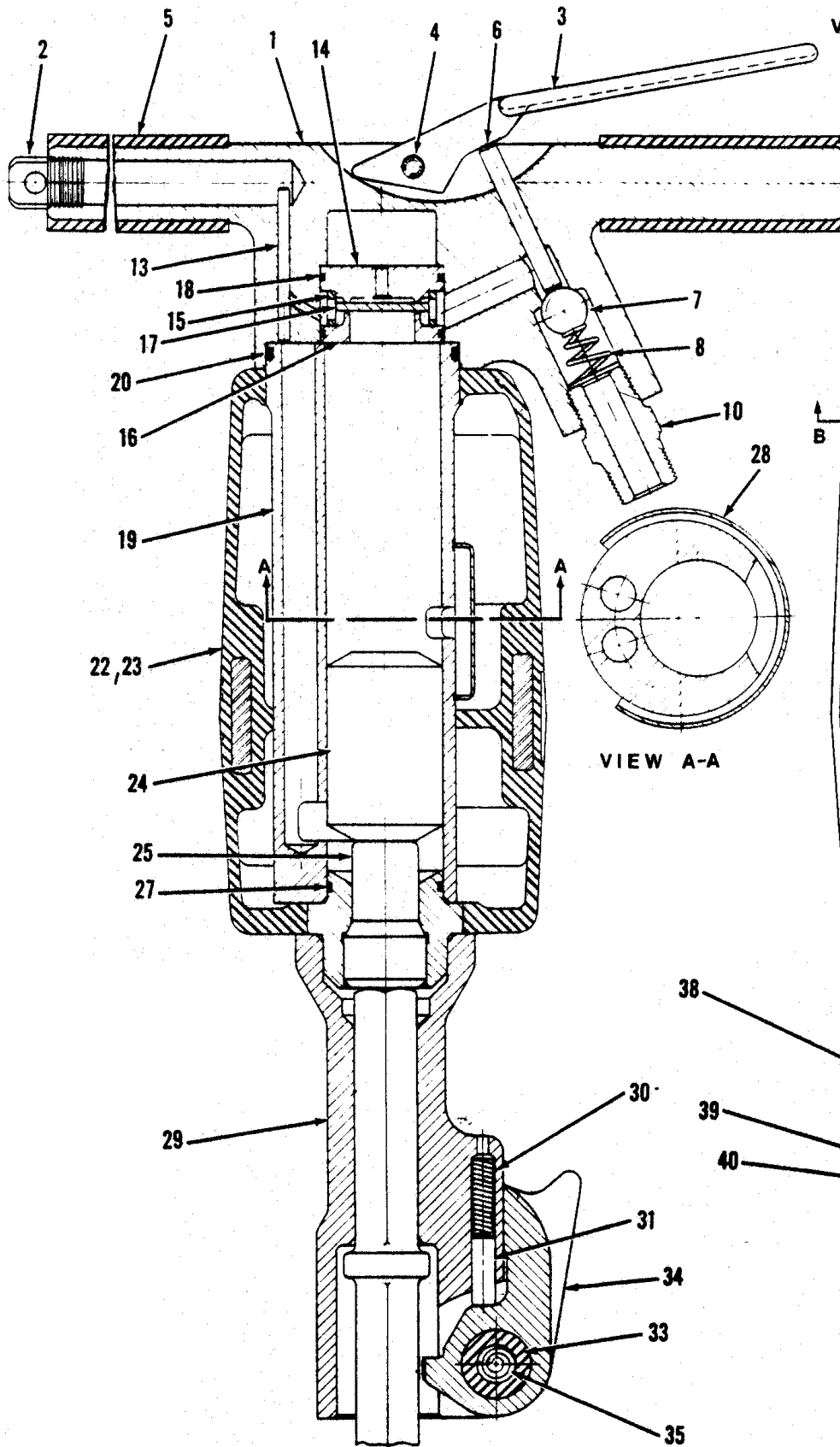
Model "A"&"K"

Tools Renewed

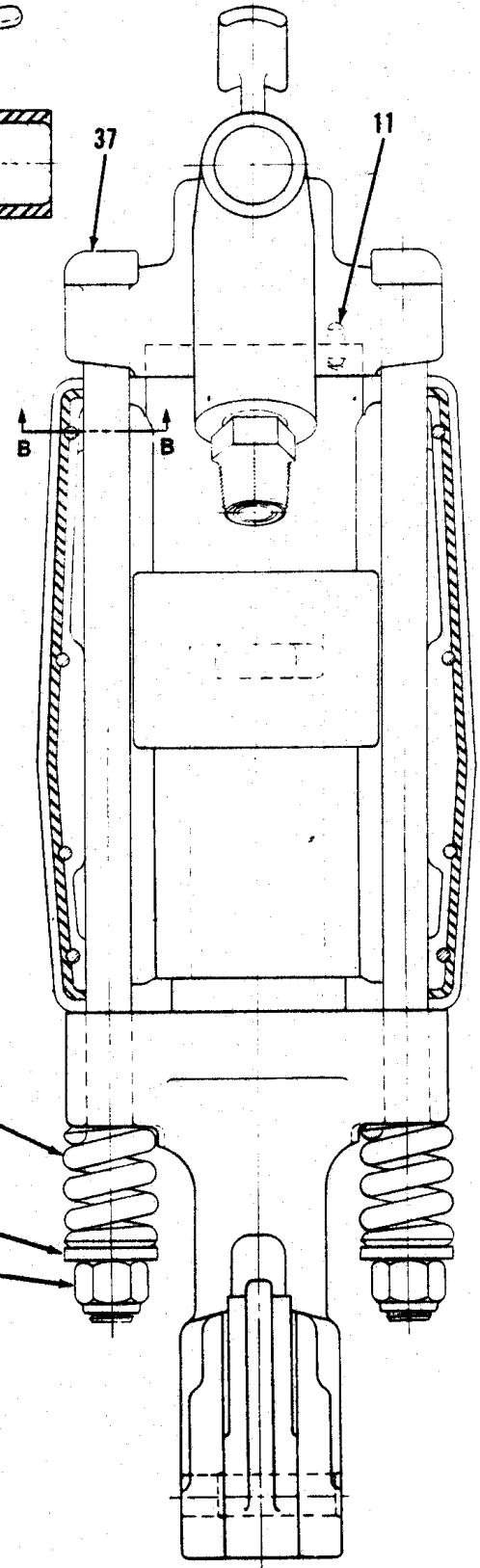
Tel: 800-247-3639 Fax: 860-665-9821



VIEW B-B



VIEW A-A



All Threads Are Right Hand Unless Otherwise Specified.

CP-1211/CP-1211-S DEMOLITION TOOL Model "A"&"K"

Tools Renewed

Tel: 800-247-3639 Fax: 860-665-9821

Index No.	CP Part No.	Description	No. Req'd
1	R138090	Backhead *	1
2	R000560	Plug-Oil	1
3	R137331	Lever-Throttle	1
4	R138131	Pin-Throttle Lever (3/8 x 1 1/8)	1
5	R005716	Grip-Handle	2
6	R137333	Pin-Valve Push	1
7	R137334	Ball-Throttle Valve	1
8	C045055	Spring-Throttle Valve	1
10	R138144	Nipple-Air Inlet	1
11	R137345	Pin-Roll (1/4 x 5/8)	1
13	R137335	Pin-Oil	1
14	R138096	Lid-Upper Valve	1
15	R138095	Case-Valve	1
16	R138093	Lid-Lower Valve	1
17	R139094	Valve	1
18	C102642	"O"-Ring (-133)	2
19	R138506	Cylinder (incl. Ind. No. 28)	1
20	R138102	"O"-Ring (-233)	1
22	R138110	Plate-Name **	1
23	R138503	Muffler-Complete ** (Incl. Ind. No's. 22,41 & 42)	1
24	R110212	Piston	1
25	R085427	Block-Anvil	1
26	R138097	Bushing-Anvil Block	1
27	R138103	"O"-Ring (-131)	1
28	R138104	Deflector-Exhaust	1
29	R138098	Fronthead (1" Hex)	1
30	R086982	Spring-Plunger	1
31	R092497	Plunger-Latch	1
33	R048540	Bushing-Retainer Latch	1
34	F815273	Latch-Compl.(incl. Ind No. 33)	1
35	R133434	Pin-Retainer Latch	1
37	R138100	Bolt-Thru	2
38	R093698	Spring-Fronthead	2
39	R138105	Washer-Fronthead Spring	2
40	R138132	Nut-Thru Bolt	2
41	R138502	Washer **	8
42	R138501	Screw-Soc. Hd. Cap ** (4 x 0.7 x 75mm)	8

\*It is recommended to order Handle Grips, part no. R005716, when ordering Backhead; (2) Grips required for each backhead ordered.

\*\*Used on CP1211S Silenced Demolition Tools Only