

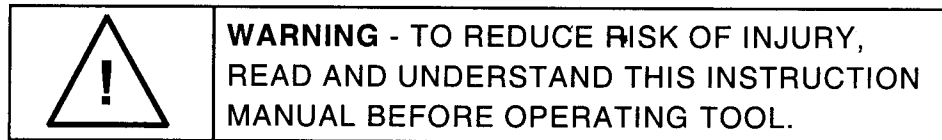
# **CP-0066 CONCRETE SCABBLER**

## **PNEUMATIC 943**

Go to  
Tools Renewed  
Parts Library

Tools Renewed, Inc.  
Tel: 800-247-3639 Fax: 860-665-9821  
email: sales@toolsrenewed.com  
www.toolsrenewed.com

**FIRST EDITION  
MARCH, 1994**



## ***Instruction and Parts Book for*** **CONCRETE SCABBLER**

**CP-0066 CONCRETE SCABBLER  
Model 'U'**

**PROTECT YOUR INVESTMENT  
IN THE WORLD'S FINEST AIR TOOLS  
USE GENUINE CP REPLACEMENT PARTS**

The purchase of replacement parts for your CP tools deserves the same good judgment that resulted in the purchase of the tools themselves. Each genuine CP part is made from carefully selected and inspected material, subjected to sophisticated machinery and finishing

processes and heat-treated to produce just the right combination of hardness, ductility and impact resistance for its intended use. Each part is identical to, and made concurrently with, parts used in production tools. The use of parts other than genuine CP replacement parts can lead to substandard performance, early failure, possible damage of other parts and, in some instances, unsafe conditions.



**Chicago  
Pneumatic**

Chicago Pneumatic Tool Company ★ Rock Hill, SC29730

**CP-0066 CONCRETE SCABBLER**

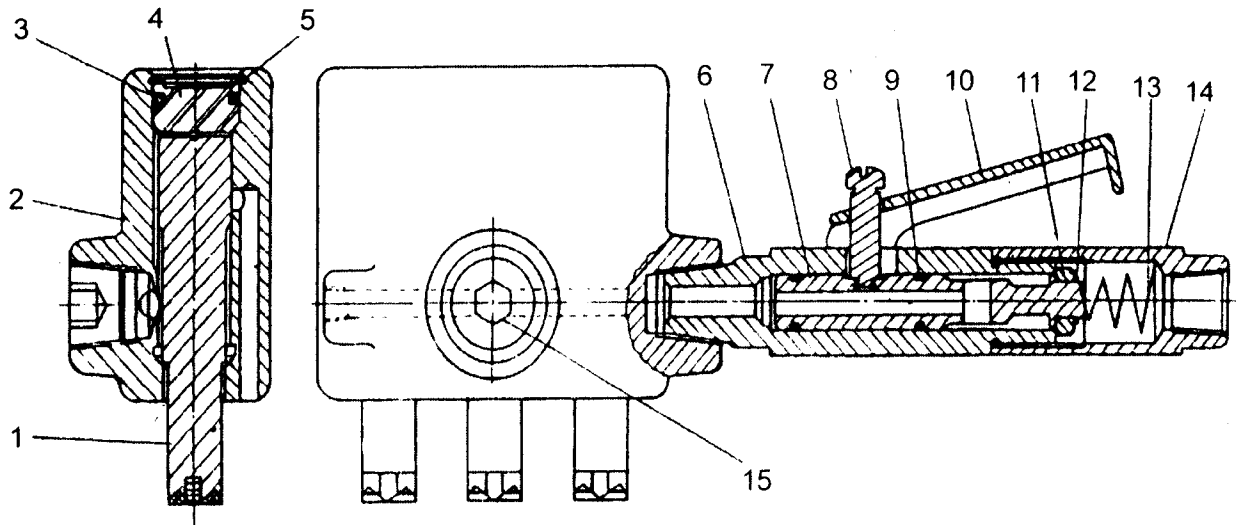
Tools Renewed, Inc.

Tel: 800-247-3639 Fax: 860-665-9821

email: sales@toolsrenewed.com

www.toolsrenewed.com

**PNEUMATIC 943**



Index No.	CP Part No.	Description	No Reqd.
1	R145921	Piston	3
2	R147611	Cylinder	1
3	C083177	'O' ring	3
4	R147614	Cylinder cap	3
5	R147622	Circlip (internal)	3
6	R147607	Live air handle	1
-	R147915	Live air handle complete (Incl Index No 6,7,8,9,10,11,12,13,14)	1
7	R147609	Throttle valve	1
8	R147621	Slotted head screw	1
9	A043001	'O' ring	2
10	R147612	Lever	1
-	R147617	Screw for lever R147612	2
11	R147618	Washer	1
12	R147619	Retaining ring	1
13	R147615	Spring	1
14	R147613	Inlet nipple	1
15	R147616	Screw	1
-	R147608	Dead handle	1
Note: Parts indicated by - are not illustrated.			

**Asessembly / Disassembly Instructions**

Following information will aid in assembly or disassembly of the scabber.

1. The pistons are retained within the cylinder with cylinder cap(4) and circlip(5)
2. Cylinder has two threaded positions for the live air handle, use either position, us use screw(15) or the dead handle at the other position.
3. Live air handle has a threaded connection for the inlet nipple. The throttle valve can be disassembled by disengaging the screw (8) and the side screw holding the lever

When ordering spare parts, give Name, Speed or Size, Model and Serial Number of the tool Part Number and Description of each part desired.