

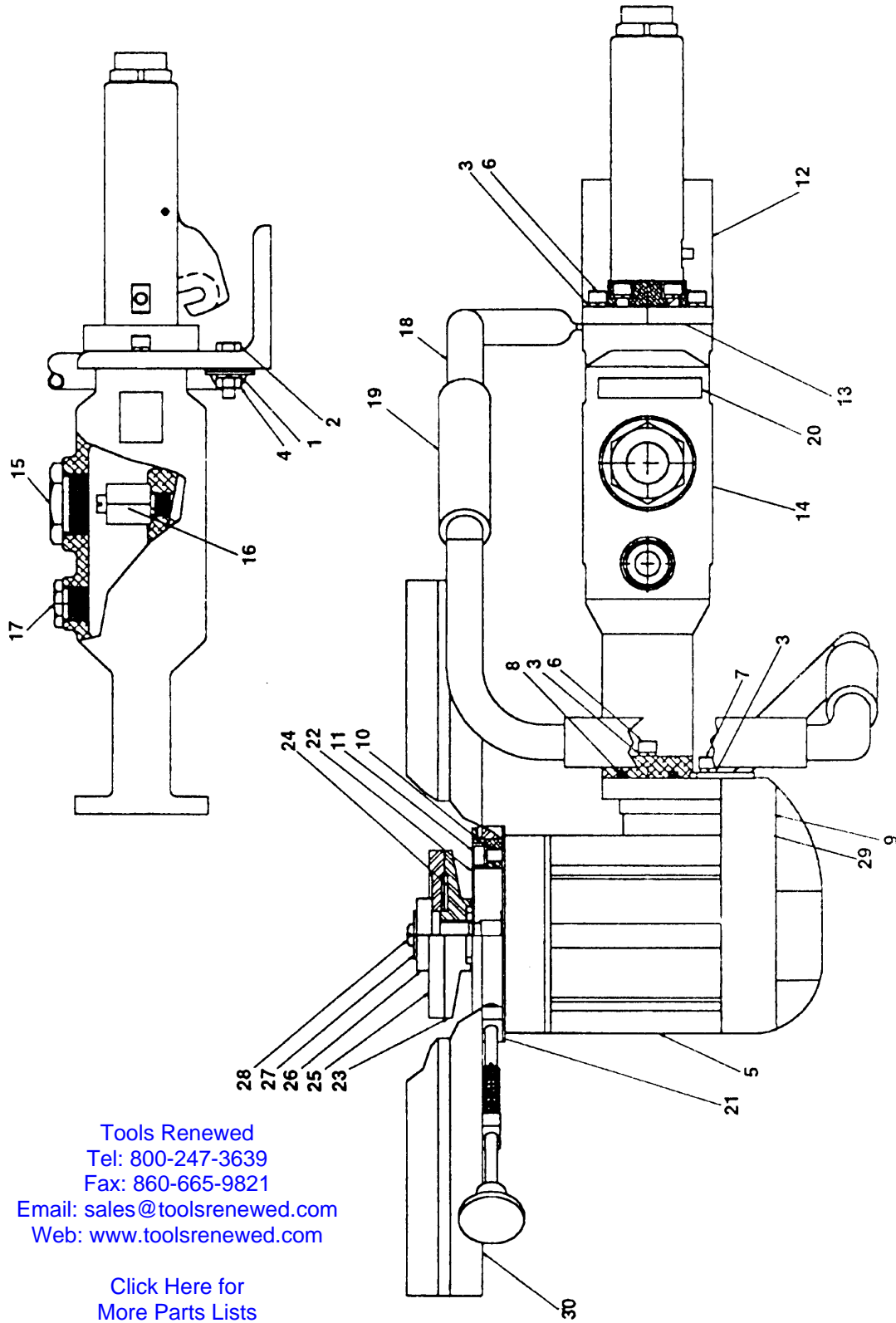
CP-0044 Air Saw

TOOL SPECIFICATIONS

Tools Renewed
Tel: 800-247-3639
Fax: 860-665-9821
Email: sales@toolsrenewed.com
Web: www.toolsrenewed.com

[Click Here for
More Parts Lists](#)

<i>Operating Weight (with blade)</i>	<i>28 Lbs.</i>
<i>Overall Dimensions</i>	<i>26 1/2"L x 15"H x 10" W</i>
<i>No Load Blade Speed</i>	<i>4800 RPM</i>
<i>Maximum Depth of Cut (with 14" blade)</i>	<i>4"</i>
<i>Air Consumption (Minimum)</i>	<i>85 CFM</i>
<i>Air Supply Pressure</i>	<i>90 PSI</i>
<i>Air Hose Requirement (Minimum)</i>	<i>3/4"</i>
<i>Air Inlet Size</i>	<i>1/2" NPT (Female)</i>
<i>Lubricating Oil</i>	<i>Airolene Motor Oil</i>
<i>Blade Capacity</i>	<i>up to 14"</i>
<i>Blade Arbor Diameter</i>	<i>1"</i>

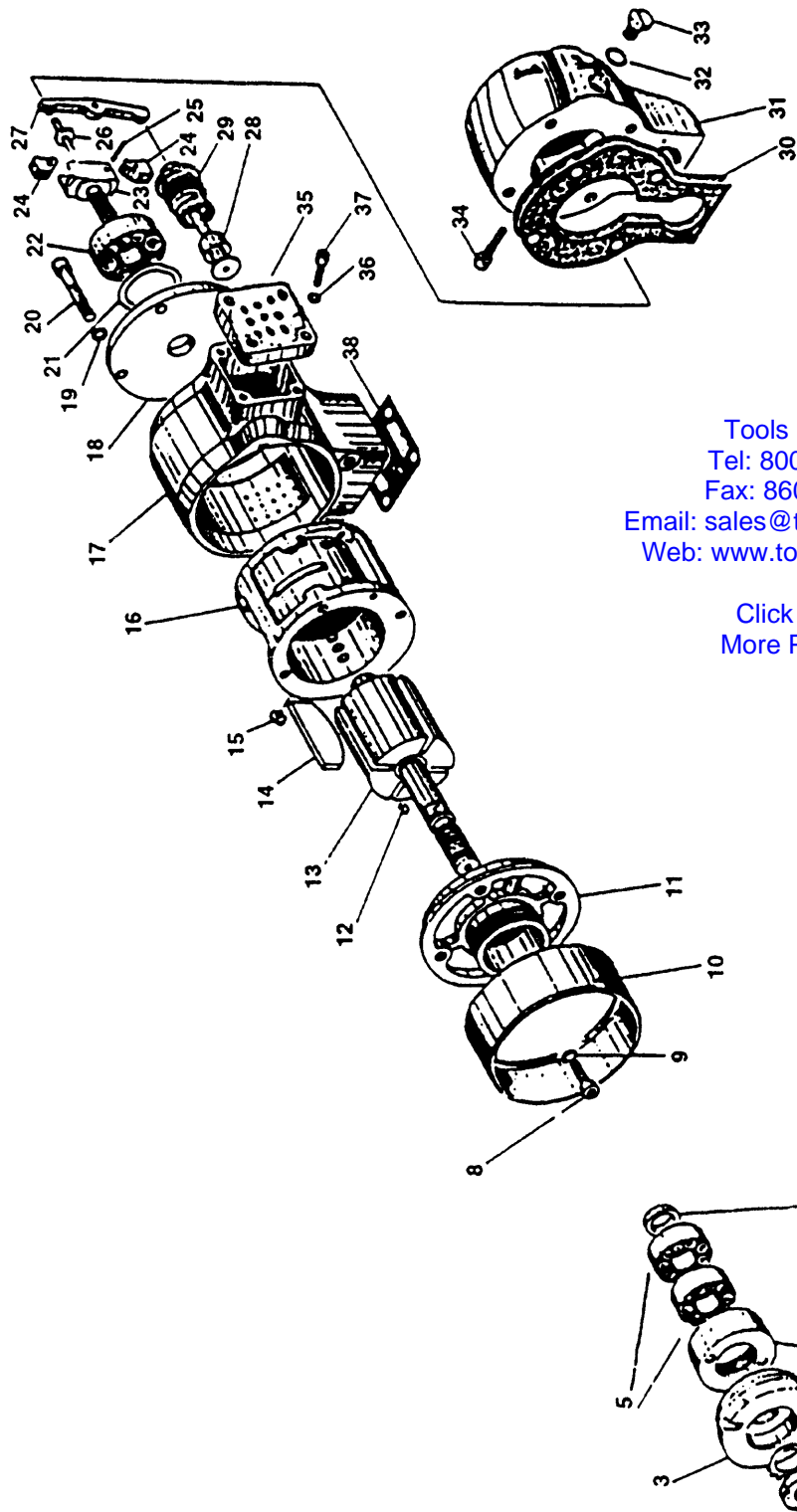


Tools Renewed
 Tel: 800-247-3639
 Fax: 860-665-9821
 Email: sales@toolsrenewed.com
 Web: www.toolsrenewed.com

[Click Here for
More Parts Lists](#)

CP0044 CONCRETE SAW PARTS LIST

ITEM NO.	PART NO.	DESCRIPTION	QTY
1	S000271	WASHER- LOCK	2
2	S009438	HEX CAP SCREW	2
3	C012058	WASHER- LOCK	10
4	C018515	NUT-HEX (1/4-20)	2
5	T039015	MOTOR- (CP0000- 4HP CONCSAWMTR)	1
6	S062753	SCREW	4
7	P072446	SCREW- CAP	2
8	C084172	O-RING (214)	1
9	C086065	SCREW-DRIVE	4
10	C127505	WASHER- LOCK (6MM)	6
11	C127944	SCREW-SOC HD CAP	6
12	N430100	GUARD-THROTTLE	1
13	N430101	GASKET	1
14	N430102	OILER	1
15	N430104	VALVE-MANUAL SAFETY	1
16	N430105	FEEDER	1
17	N430106	SIGHT GLASS	1
18	N430107	HANDLE	1
19	N430108	GRIP-RUBBER	3
20	N430109	DECAL-CHECK OIL DAILY	1
21	N430130	RING-RETAINING (INNER)	1
22	N430113	RING-MOUNTING	1
23	N430121	WHEEL COLLAR-INNER	1
24	N430122	DECAL-WARNING	1
25	N430123	WHEEL COLLAR-OUTER	1
26	N430124	NUT-LOCKING	1
27	N430125	WASHER-FLAT	1
28	N430126	SCR-PAN HD (M6 X 1)	1



Tools Renewed
 Tel: 800-247-3639
 Fax: 860-665-9821
 Email: sales@toolsrenewed.com
 Web: www.toolsrenewed.com

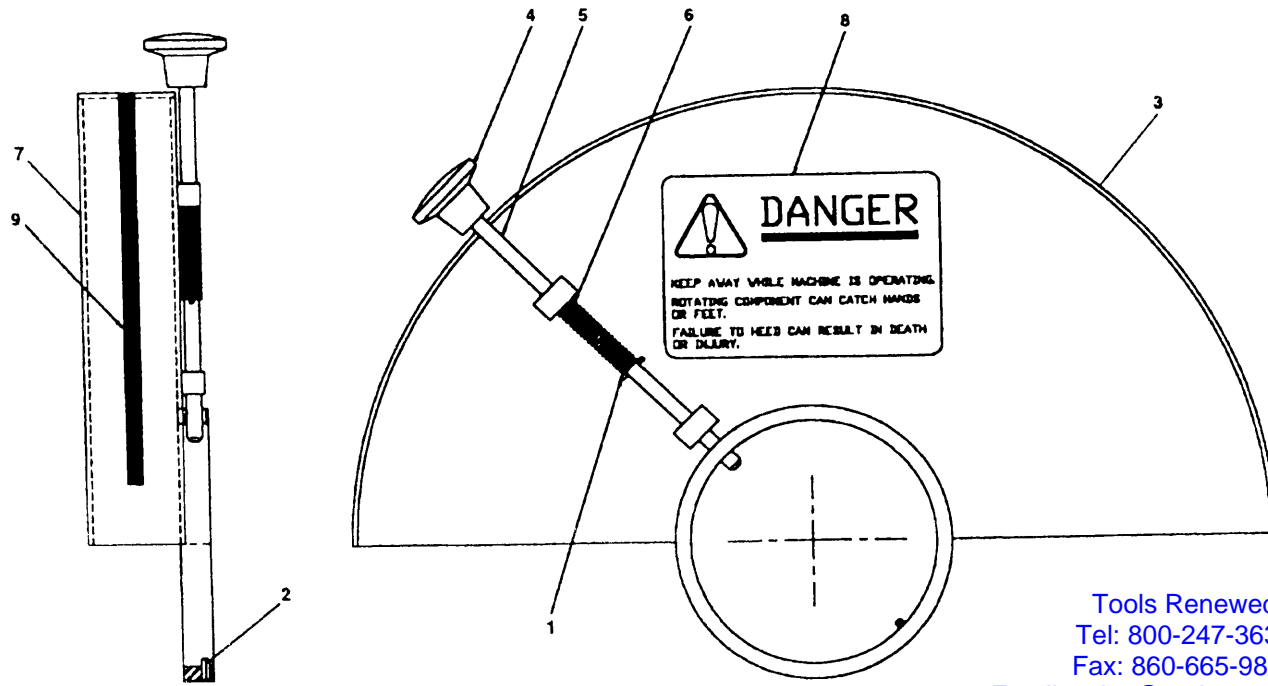
[Click Here for
 More Parts Lists](#)

4 H.P. MOTOR PARTS LIST

INDEX NO.	PART NO.	DESCRIPTION	QTY
1	N430001	LOCK NUT	1
2	N430002	LOCK WASHER	1
3	N430003	INNER WHEEL COLLAR	1
4	N430004	SPINDLE BEARING LOCK NUT	1
5	N430005	BALL BEARING	1
6	N430007	SPACER	1
7	N430042	SHIM (AS NEEDED)	*
8	N430008	CAP SCREW	1
9	N430009	SPRING WASHER	1
10	N430036	SPACER RING	1
11	N430010	LOWER END PLATE	1
12	N430011	SPINDLE KEY	1
13	N430012	ROTOR	1
114	N430013	ROTOR BLADE	4
15	N430014	CYLINDER LINER DOWEL	1
16	N430037	CYLINDER LINER	1
17	N430038	CYLINDER HOUSING	1
18	N430015	UPPER END PLATE	1
19	N430016	SPRING WASHER	1
20	N430017	CAP SCREW	1
21	N430018	TENSION WASHER	1
22	N430019	BALL BEARING	1
23	N430020	GOVERNOR BODY	1
24	N430021	GOVERNOR WEIGHT	2
25	N430022	GOVERNOR WEIGHT PIN	2
26	N430023	GOVERNOR PUSH PIN	1
27	N430024	GOVERNOR LEVER	1
28	N430025	GOVERNOR VALVE	1
29	N430026	GOVERNOR VALVE CAGE	1
30	N430028	GOVERNOR HOUSING GASKET	1
31	N430029	GOVERNOR HOUSING	1
32	N430030	GASKET FOR OIL FILTER PLUG	1
33	N430031	OIL FILTER PLUG	1
34	N430032	GOVERNOR LEVER PIN	1
35	N430041	EXHAUST DEFLECTOR	1
36	C012058	LOCK WASHER	1
37	N430035	SCREW	4
38	N430033	GASKET	1

[Tools Renewed](#)
 Tel: 800-247-3639
 Fax: 860-665-9821
 Email: sales@toolsrenewed.com
 Web: www.toolsrenewed.com

[Click Here for
More Parts Lists](#)

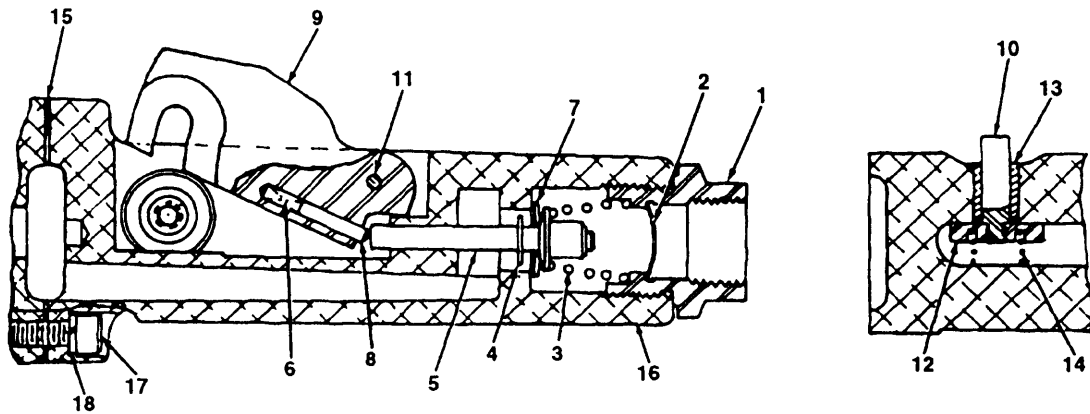


Tools Renewed
 Tel: 800-247-3639
 Fax: 860-665-9821
 Email: sales@toolsrenewed.com
 Web: www.toolsrenewed.com

[Click Here for
 More Parts Lists](#)

GUARD ASSEMBLY PARTS LIST

ITEM NO.	PART NO.	DESCRIPTION	QTY.
1	C052282	PIN-ROLL	1
2	C089721	PIN-ROLL	1
3	N430114	GUARD-ASSEMBLY	1
4	N430115	KNOB	1
5	N430116	ROD-LOCKING	1
6	N430117	SPRING	1
7	N430118	DECAL-ROTATION	1
8	N430119	DECAL-DANGER	1
9	N430120	DECAL-STRIPE	1



THROTTLE HANDLE PARTS LIST

INDEX NO.	PART NO.	DESCRIPTION	QTY.
1	C092292	BUSHING-AIR INLET (1/2 in.)	1
2	C120618	STRAINER-AIR	1
3	C120619	SPRING-THROTTLE VALVE	1
4	C133430	RING-RETAINING	1
5	C133422	VALVE-THROTTLE	1
6	C132695	SPRING-ROLLER PIN	1
7	C090769	SEAL-THROTTLE VALVE	1
8	S014764	PIN-ROLLED (1/8 in. dia.x11/16)	1
9	C132694	LEVER-THROTTLE	1
10	C133904	BUTTON-LOCK	1
11	P072359	PIN-THROTTLE LEVER	1
12	C133902	STOP-THROTTLE LEVER	1
13	C133905	BUSHING-LOCK BUSHING	1
14	C133903	SPRING-COMPRESSION	1
15	C090940	GASKET-HANDLE	1
16	C133419	HANDLE-THROTTLE(Incl:#9)	1

[Tools Renewed](#)
 Tel: 800-247-3639
 Fax: 860-665-9821
 Email: sales@toolsrenewed.com
 Web: www.toolsrenewed.com

[Click Here for
More Parts Lists](#)