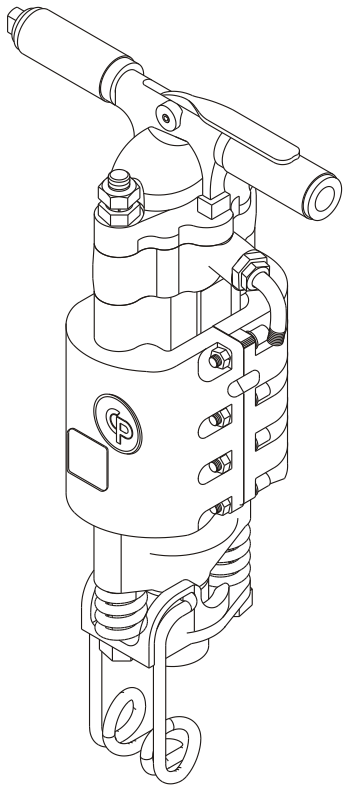




Spare Parts List

CP 0117 Demolition tool



www.cp.com

 **Chicago
Pneumatic**

2005-09
No. 9800 0535 01

© Copyright
Stockholm, Sweden

Contents**Pages**

General information.....	4
Exploded views and tables	6-7

GENERAL INFORMATION

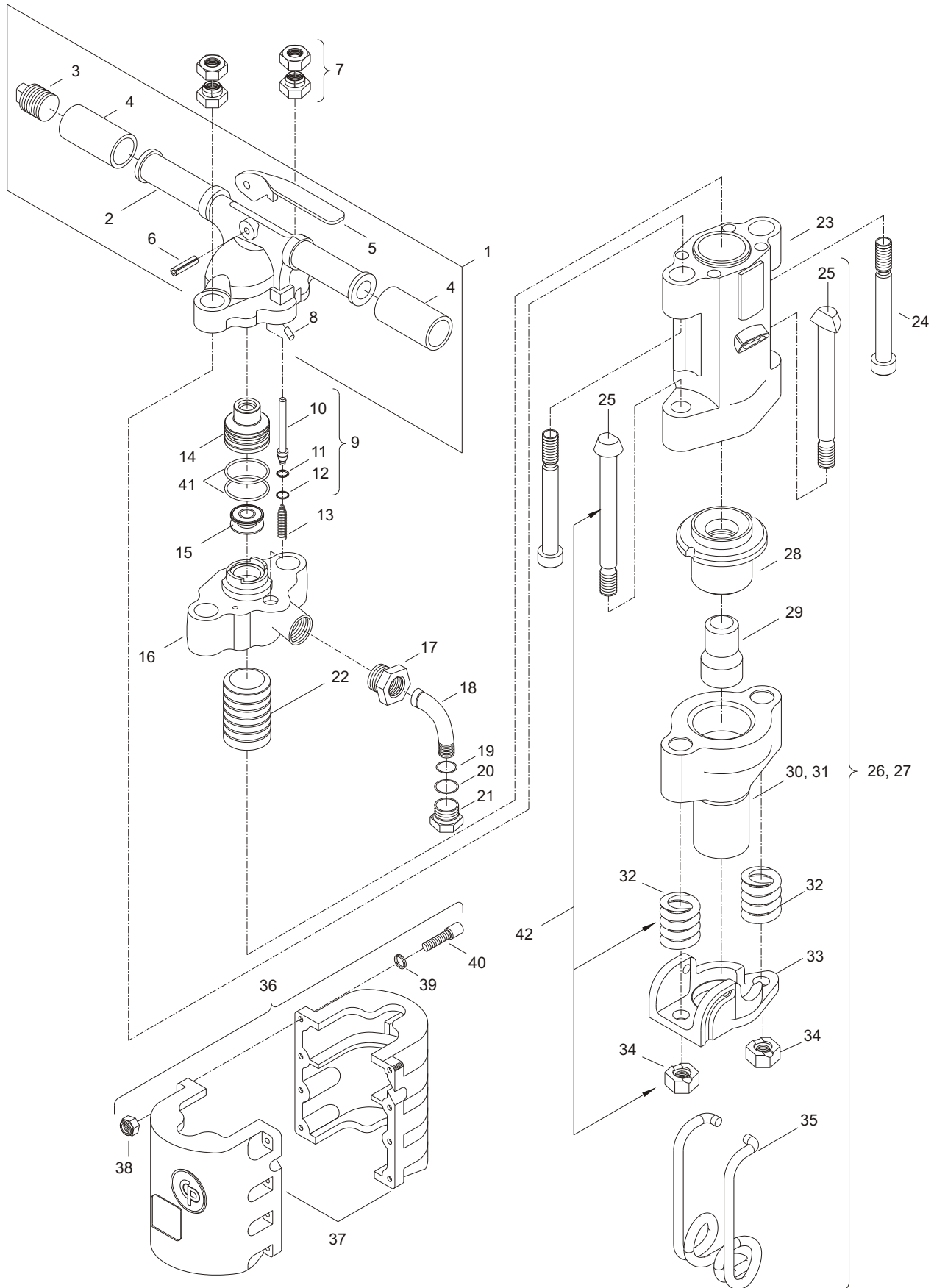
Welcome! Protect your investment in the world's finest air tools. Use genuine CP replacement parts.

The purchase of replacement parts for your CP tools deserves the same good judgment that resulted in the buying of the tools themselves. Each genuine CP part is made from carefully selected and inspected material, subjected to sophisticated machinery and finishing processes and heat-treated to produce just the right combination of hardness, ductility and impact resistance for its intended use. All parts are manufactured concurrently with those used in production tools, and are identical to them. The use of parts other than genuine CP replacement parts can lead to substandard performance, early failure, possible damage of other parts and, in some instances, unsafe conditions.

To reduce the risk of injury, read and understand the Operating Instructions manual and the percussion tool safety instructions before operating the tool.

CP 0117 is a pneumatic tool designed for heavy construction and plant maintenance work such as breaking heavy concrete, reinforced concrete, frozen ground, macadam, boulders and pavement. It has a two-bolt back head design.

EXPLODED VIEW OF CP 0117



Ref. No.	Ordering No.	Qty.	Description
1	Z8415441	1	Backhead complete (Includes item No.2, 3, 4, 5, 6 & 8)
2		1	Backhead
3	R000560	1	Oil plug
4	R005716	2	Backhead handle grip
5	R005712	1	Throttle lever
6	R133433	1	Throttle lever pin
7	R005689	2	Backhead bolt nut
8	R004976	1	Oil regulator plug
9	R045373	1	Throttle valve (Includes Items 10, 11 & 12)
10		1	Throttle valve
11	R098368	1	Throttle valve seat
12	R098369	1	Throttle valve retaining ring
13	R005717	1	Throttle valve spring
14	D7414441	1	Inside valve bushing
15	D7305441	1	Valve
16	R075193	1	Backhead cylinder spacer
17	F813728	1	Gooseneck adaptor
18	R085269	1	Air inlet swivel
19	R110317	1	O-ring
20	P103521	1	O-ring
21	R000530	1	Air swivel nut
22	R000040	1	Piston
23	R075185	1	Cylinder
24	R075189	2	Backhead bolt
25	R005684	2	Fronthead bolt
26	R077682	1	Spring type fronthead compete (1.1/8" Hex) (Includes item No. 25, 28, 29, 31, 32, 33, 34 & 35)
27	R077683	1	Spring type fronthead compete (1.1/4" Hex) (Includes item No. 25, 28, 29, 30, 32, 33, 34 & 35)
28	R075187	1	Anvil block bushing
29	R075186	1	Anvil block
30	R005724	1	Spring type fronthead (1.1/4" Hex)
31	R005725	1	Spring type fronthead (1.1/8" Hex)
32	R005729	2	Fronthead bolt spring
33	R005728	1	Steel retainer support
34	R005721	2	Fronthead bolt nut
35	R005727	1	Steel retainer
36	F813764	1	Muffler hood (Includes item No.37, 38, 39 & 40)
37*		1	Muffler hood
38*	Q2101000	8	Nylon insert nut
39*	C011005	16	Washer
40*	P070428	8	Socket head cap screw
41	H0364441	2	O-ring
42	Z3630441	1	Side bolt kit, includes one pair of complete bolt assembly (Item No. 25, 32 & 34)

ITEMS MARKED THUS * ARE APPLICABLE TO CP 0117 S ONLY.



2005-09
No. 9800 0535 01

© Copyright
Stockholm, Sweden

