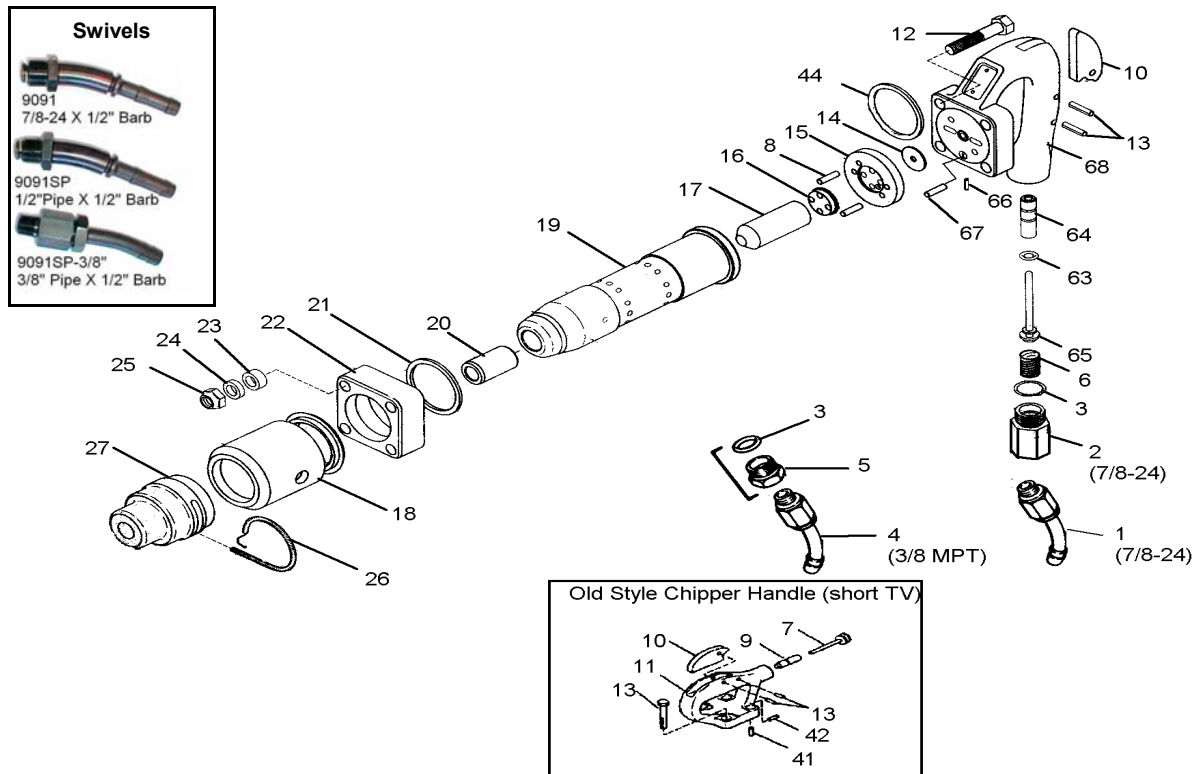


Parts for Airmax (formerly Air Pro) CH-3 Chipping Hammer (15 lb)



Index	Part No.	Description	Index	Part No.	Description
1	250012-531	Swivel 7/8-24 X 1/2" Barb	19	68722310	Barrel, 2" Stroke
2	68722274	Bushing 7/8-24	19	68722233	Barrel, 3" Stroke
3	68CJ0018	O-Ring	19	68722307	Barrel, 4" Stroke
4	250012-532	Swivel 3/8" NPT X 1/2" Barb	20	68TB8230	Bushing, Round
5	68722224	Bushing 3/8" NPT	20	68722759	Bushing, Hex
6	68722225	Spring, TV	21	68723120	Ring, Absorber
7	68723118	T. Valve 4" OAL (Current Type)	22	68722232	Flange, Barrel
7	68722777	T. Valve 3.25" OAL (Old Type)	23	68722427	Spacer, Vibration (4)
8	68524063	Pin, V. Box	24	68722428	Spacer, Steel (4)
9	68722227	Bushing, TV Stem	25	68VE8120	Nut (4)
10	68722228	Trigger	26	250012-530	Spring, Retainer
11	68722998	Handle, Bare	27	68722235	Retainer, Oval Collar
12	68524155	Bolt (4)	41	Do Not Replace	Plug, Handle Port
13	68VV5624	Pin (4)	42	Do Not Replace	Plug, Handle Port
14	68722229	Valve, Disc	44	68524308	O-Ring, Handle
15	68722230	Seat, Valve	63	68CJ0004	O-Ring
16	68722231	Bumper, Valve Seat	64	68723119	Bushing, TV Stem
17	68722311	Piston, 2" Stroke	65	68723118	T. Valve (Oal 4")
17	68722234	Piston, 3" Stroke	66	Do Not Replace	Plug, Handle
17	68722308	Piston, 4" Stroke	67	Do Not Replace	Plug, Handle
18	68722451	Deflector, 2" & 3" Stroke	68	68723115	Handle, Large Grip
18	68722452	Deflector, 4" Stroke			