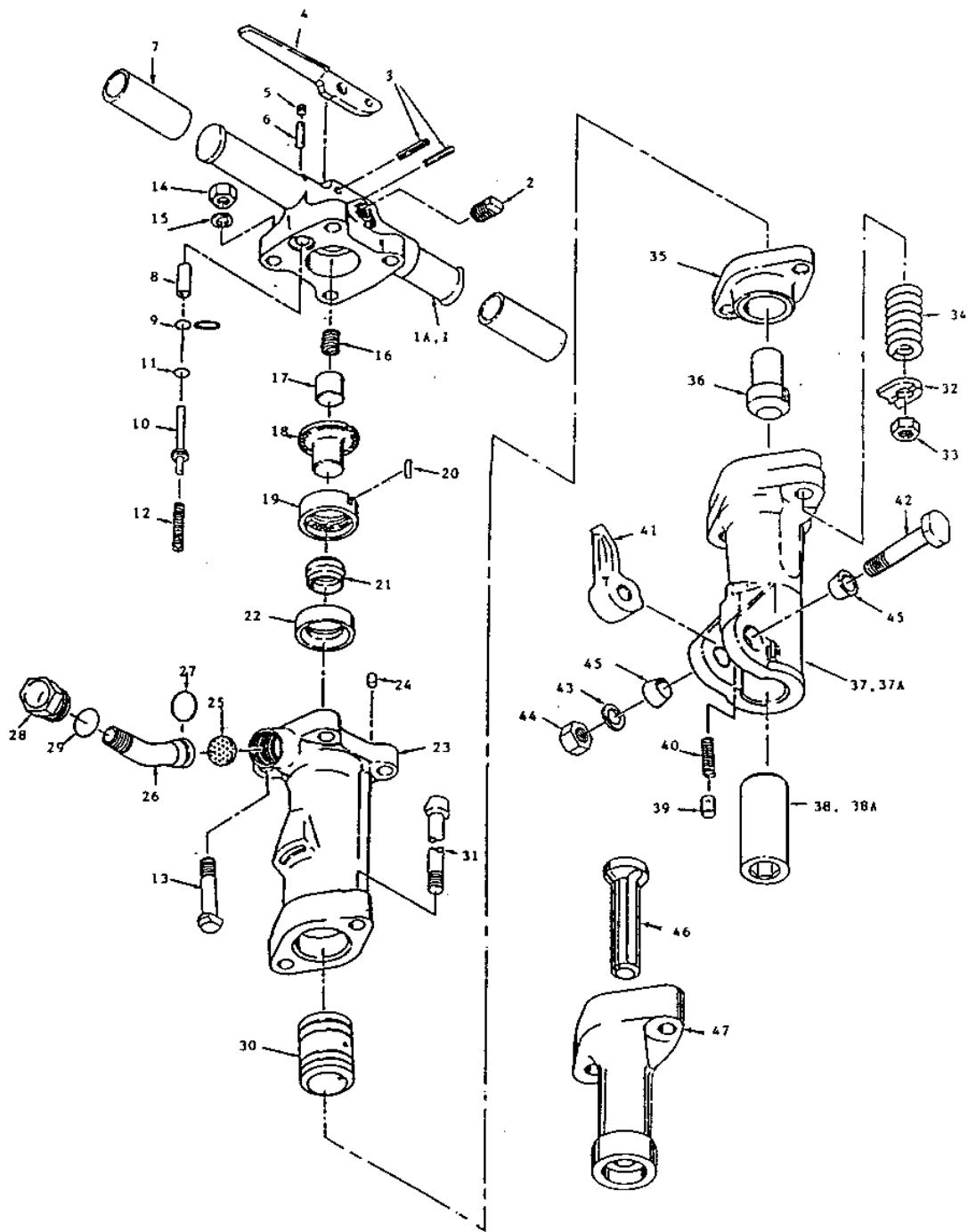


ATSCO PB60 PAVING BREAKER



For Parts Call Tools Renewed (800) 247-3639 Fax (860) 665-9821

ATSCO PB60 PAVING BREAKER

<u>ITEM #</u>	<u>PART #</u>	<u>DESCRIPTION</u>
1A	87A-23	BACKHEAD COMPLETE
1	87-23	BACKHEAD
2	33-25	PLUG
3	2312-1250	LEVER PIN (2)
4	31-23	LEVER
5	33-J10	PLUG
6	57-23	OIL FELT
7	85-23	GRIPS (2)
8	27-23	GUIDE
9	66-PB60	SEAL
10	25-23	THROTTLE VALVE
11	93-111	O RING
12	26-23	SPRING
13	22-25	BOLT ASSEMBLY (4)
14	23-PB8	NUT (4)
15	24-25	LOCK WASHER (4)
16	59-23	SPRING
17	58-23	PLUNGER
18	55-23	GUIDE
19	52-23	VALVE CHEST (REAR)
20	56-23	DOWEL PIN
21	54-23	VALVE
22	53-23	VALVE CHEST (FRONT)
23	90A-23	CYLINDER
24	33-PB60	PLUGS (5)
25	68-23	SCREEN
26	60-23	SWIVEL
27	93-21	O RING
28	45-23	SWIVEL NUT
29	93-123	O RING
30	2-23	PISTON
31	19-23	F.H BOLT ASSEMBLY (2)
32	21-23	LOCK WASHER (2)
33	20-23	NUT (2)
34	18-23	SPRINGS (2)
35	62-23	TAPPET SEAT
36	51-23	TAPPET
37	100-23-4	1-1/4" X 6" FRONTHEAD
38	1H-117-4	1-1/4" X 6" BUSHING
37A	100-23-8	1-1/8" X 6" FRONTHEAD
38A	1H-117-8	1-1/8" X 6" BUSHING
39	16-23	RETAINER PLUNGER
40	17-23	RETAINER SPRING
41	12-23	RETAINER
42	13-23	RETAINER BOLT
43	24-25	LOCK WASHER
44	15-PB8	NUT
45	14-25	BOLT BUSHING (2)
46	2-CC3B	SPIKE DRIVER
47	100-PB60S	SPIKE DRIVER FRONTHEAD