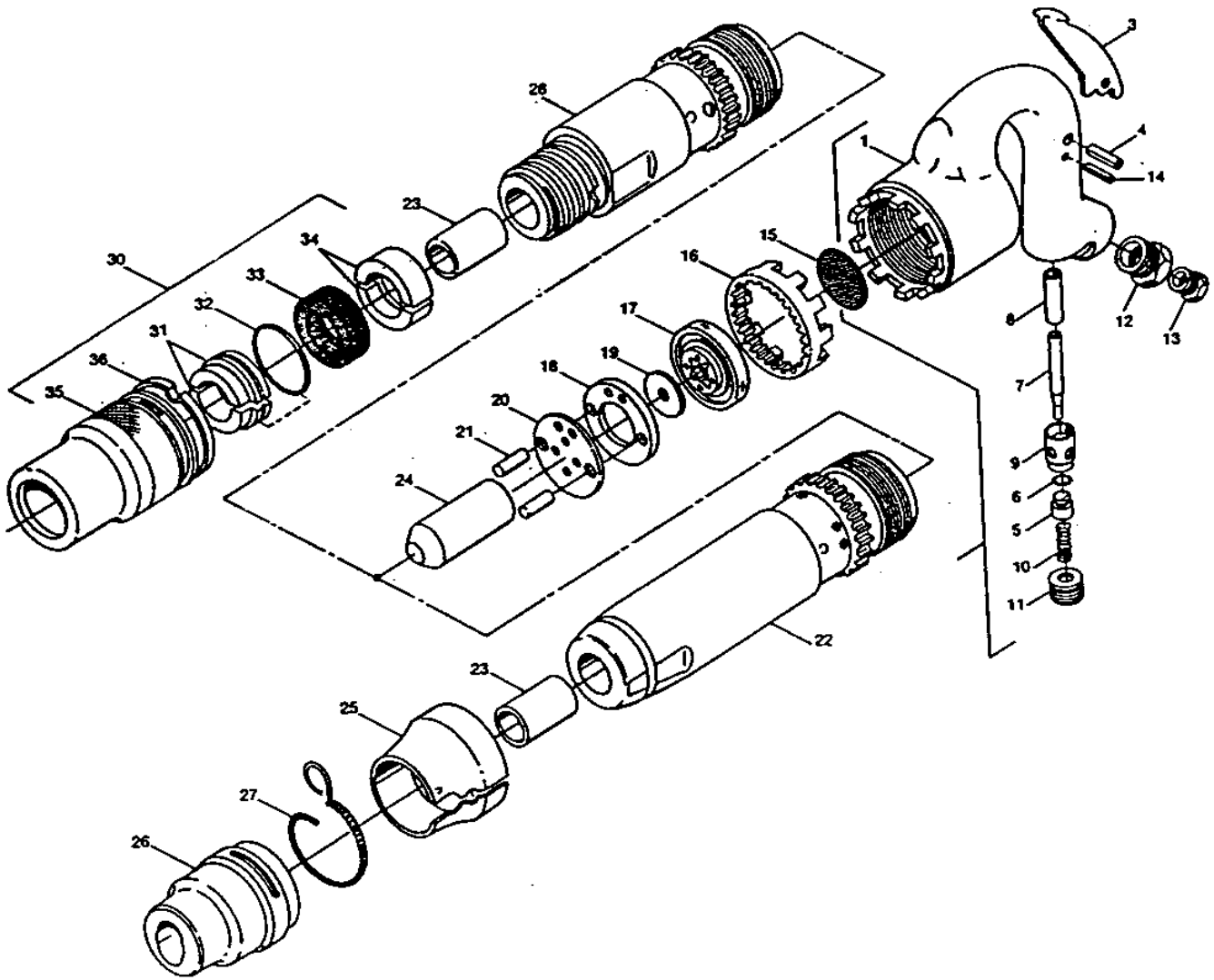


# ATSCO CH1-2-3-4 CHIPPING HAMMERS



For Parts Call Tools Renewed (800) 247-3639 Fax (860) 665-9821

**ATSCO CH 1-2-3-4 CHIPPERS**

<b>ITEM #</b>	<b>PART #</b>	<b>DESCRIPTION</b>
1	69A-IR2	HANDLE ASSEMBLY
3	31-IR2	THROTTLE LEVER
4	2250-0875	THROTTLE LEVER PIN
5	25-W4	THROTTLE VALVE
6	93-9	THR VLV SEAL
7	28-W4	PUSH PIN
8	27A-IR2	PUSH PIN BUSHING
9	27-W4	T.V. BUSHING
10	26-W4	T.V. SPRING
11	30-W4	T.V. PLUG
12	45-IR2	INLET BUSHING
13	63-IR	REDUCER BUSHING (optional)
14	2187-1000	STOP PIN
15	68-IR2	HANDLE SCREEN
16	46-IR1	LOCK RING
17	52-IR2S	VALVE CHEST LID
18	55-IR2	VALVE CHEST SPACER
19	54-IR2	VALVE
20	53-IR2	VALVE CHEST BOTTOM
21	56-IR2	VALVE CHEST DOWEL
22	90A-IR1	BARREL, MODEL 1*
	90A-IR2	BARREL, MODEL 2*
	90A-IR3	BARREL, MODEL 3*
	90A-IR4	BARREL, MODEL 4*
23	43-CPC	CHISEL BUSHING, HEX
	430-CPC	CHISEL BUSHING, ROUND
24	2-IR1	PISTON, MODEL 1 & 2
	2-IR3	PISTON, MODEL 3
	2-IR4	PISTON, MODEL 4
25	36-IR2	EXHAUST DEFLECTOR
26	12-IR2	CHISEL RETAINER
27	17-CPC	RETAINER SPRING
<b>NOT</b>	60-SW	SWIVEL (optional)
<b>ILLUSTRATED</b>	12Q-IR2	QUICK CHANGE RETAINER (optional)

\*SPECIFY ROUND OR HEX BUSHING

For Parts Call Tools Renewed (800) 247-3639 Fax (860) 665-9821