

# APT MODEL 550 SERIES

## CHIPPING HAMMER

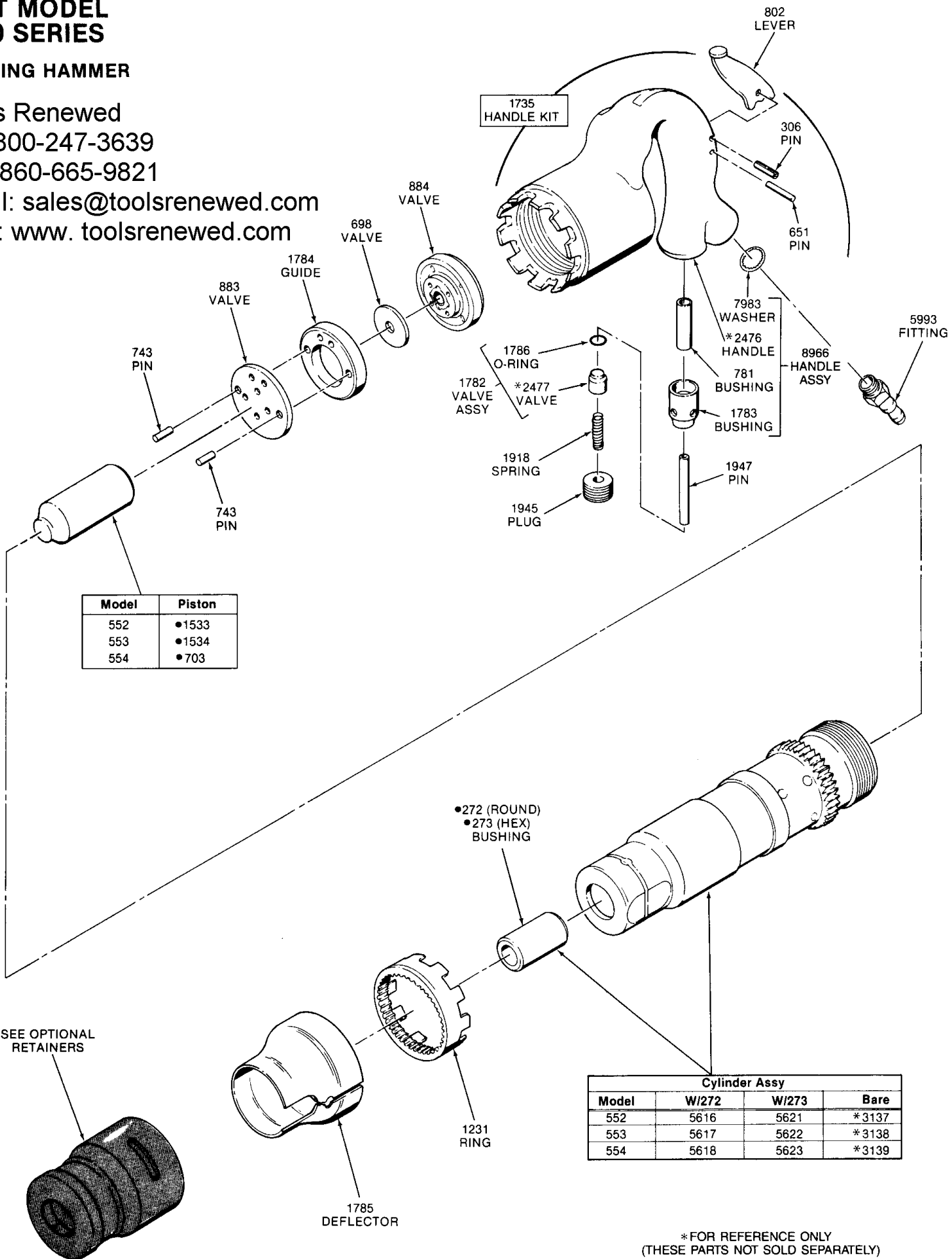
Tools Renewed

Tel: 800-247-3639

Fax: 860-665-9821

Email: sales@toolsrenewed.com

Web: www.toolsrenewed.com



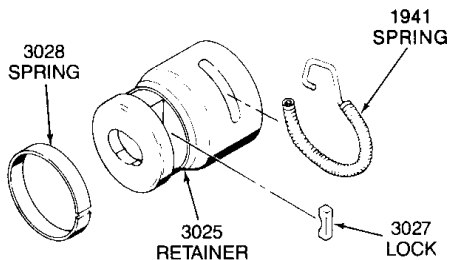
Model	Piston
552	●1533
553	●1534
554	●703

Cylinder Assy			
Model	W/272	W/273	Bare
552	5616	5621	*3137
553	5617	5622	*3138
554	5618	5623	*3139

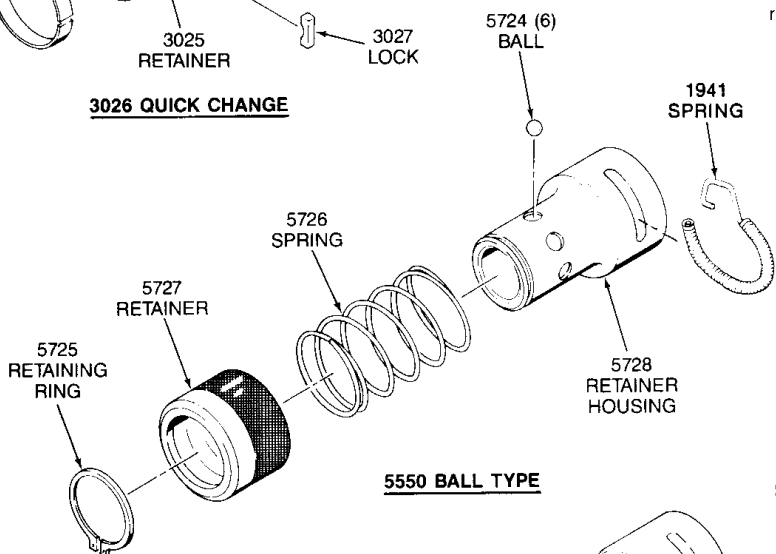
\*FOR REFERENCE ONLY  
(THESE PARTS NOT SOLD SEPARATELY)

●Piston and bushing are available oversize — (.002, .006, & .010).

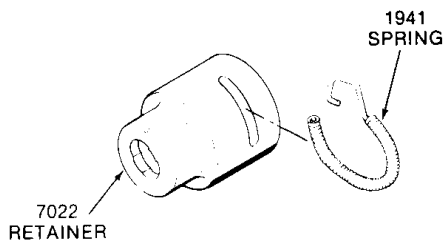
## OPTIONAL RETAINERS



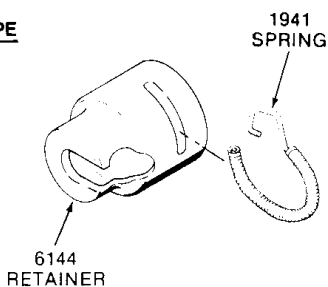
**3026 QUICK CHANGE**



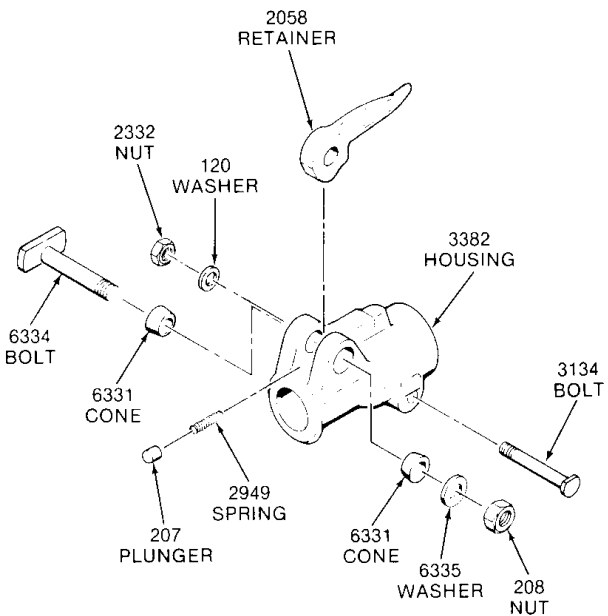
**5550 BALL TYPE**



**7022 OVAL COLLAR**



**6144 ROUND COLLAR**

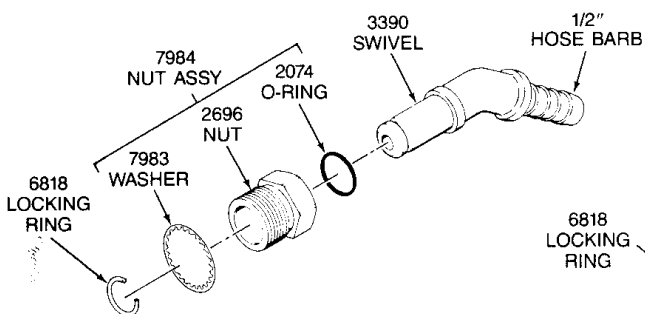


**3383 LATCH TYPE**

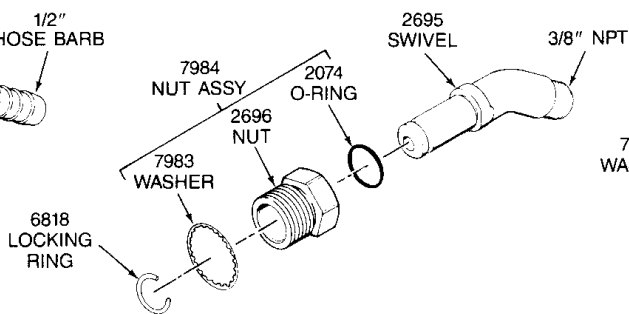
### IMPORTANT

**DO NOT USE 3383 Latch-type Retainer with .580 hex-shank chipping hammer steel.** The latch does not always catch the round collar, allowing the steel to shoot out of the chipping hammer. This retainer (3383 Assy) should be used with .680 round collar or round shank steel only.

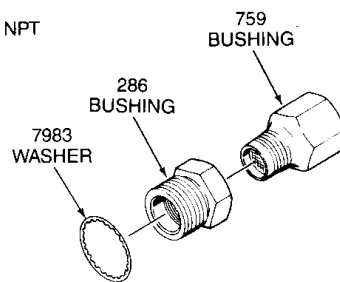
## OPTIONAL FITTINGS



**3388 SWIVEL ASSY**



**2698 SWIVEL ASSY**



**REDUCING BUSHING**