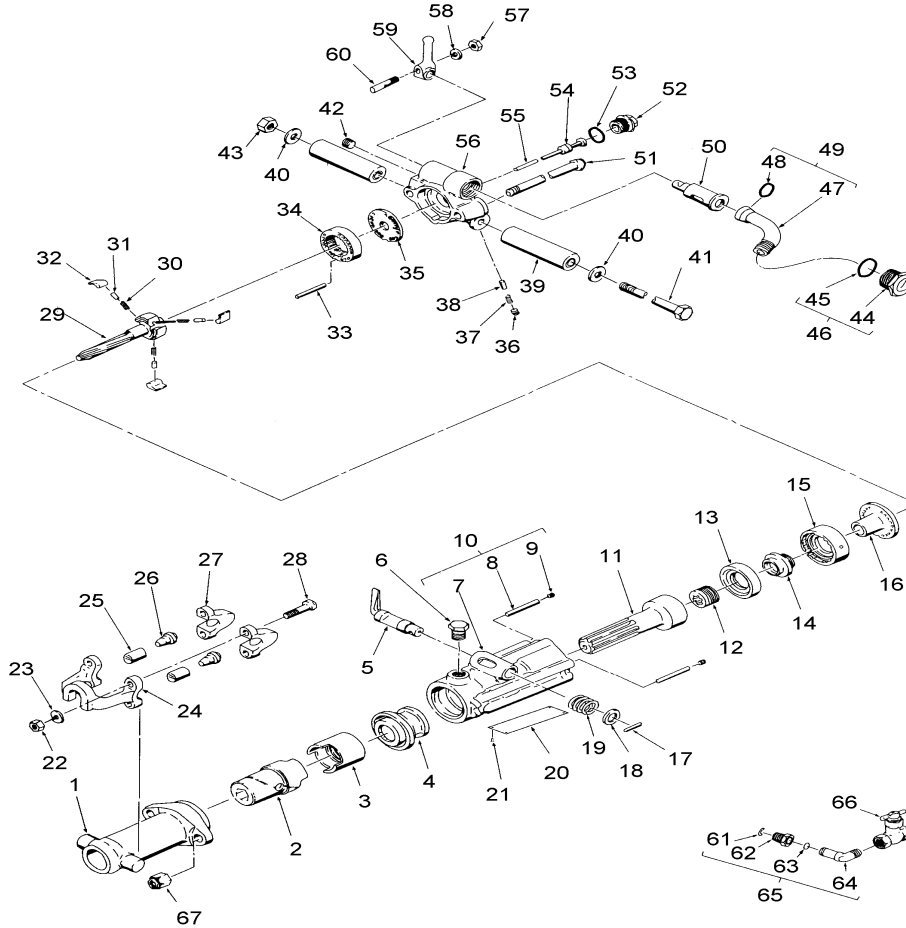


Parts for American Pneumatic Tool Model 138 45LB Rockdrill



| Index | Part No. | Description | Index | Part No. | Description | Index | Part No. | Description |
|-------|---------------------|---|-------|--------------|--|-------|----------------|------------------------------|
| 1 | 18128 | Fronthead | 23 | 120 | Washer (4) | 45 | 1188 | O-Ring |
| 2 | 159 217 17617 | 7/8" Hex X 3-1/4" 1" Hex X 4-1/4" 7/8" Hex X 4-1/4" | 24 | 2103 2593 | 7/8 & 1" Hex X 4-1/4" 7/8" Hex X 3-1/4" | 46 | 3373 | Swivel Nut Assy. |
| 3 | 18138 | Chuck Driver | 25 | 2113 | Plunger (2) | 47 | 2488 | Swivel |
| 4 | 18137 | Bearing | 26 | 2112 | Bumper (2) | 48 | 151 | O-Ring |
| 5 | 356 | Valve | 27 | 1647 | Housing (2) | 49 | 2054 | Swivel Assy. |
| 6 | 168 | Plug | 28 | 1720 | Bolt (4) | 50 | 1632 | Throttle Valve |
| 7 | 18126 | Cylinder | 29 | 18133 | Rifle Bar | 51 | 18143 | Bolt (2) |
| 8 | 1926 | Felt | 30 | 1557 | Spring (3) | 52 | 1631 | Plug |
| 9 | 7106 | Plug | 31 | 891 | Plunger (3) | 53 | 2109 | Gasket |
| 10 | 18125 | Cylinder Assy. | 32 | 862 | Pawl (3) | 54 | 1429 | Packing |
| 11 | 17616 | Piston | 33 | 18139 | Pin | 55 | 2111 2124 | Air Tube-Dry Air Tube-Wet |
| 12 | 17915 | Rifle Nut | 34 | 18132 | Ratchet Ring | 56 | 18122 18152 | Backhead-Dry Backhead-Wet |
| 13 | 18136 | Front Valve | 35 | 18131 | Plate | 57 | 2108 | Nut |
| 14 | 864 | Valve | 36 | 111 | Plug | 58 | 2107 | Washer |
| 15 | 18135 | Rear Valve | 37 | 1634 | Spring | 59 | 1633 | Handle |
| 16 | 18134 | Guide | 38 | 1883 | Plunger | 60 | 2492 | Bolt |
| 17 | 1639 | Pin | 39 | 18145 | Grip (2) | 61 | 6818 | Ring |
| 18 | 1638 | Washer | 40 | 859 | Washer (2) | 62 | 3487 | Nut |
| 19 | 1637 | Spring | 41 | 18144 | Bolt | 63 | 2074 | O-Ring |
| 20 | 17980 | Safety Label | 42 | 2602 | Plug (Dry Only) | 64 | 2695 | Swivel |
| 21 | 17981 | Rivet (4) | 43 | 861 | Nut | 65 | 3389 | Swivel Assy |
| 22 | 2332 | Nut (4) | 44 | 103 | Swivel Nut | 66 | 2116 | Valve |